

## RKA 50 - 1 POLE



087310-0-3

### TERMINAL CROSS SECTION

2 x 50 mm<sup>2</sup> - 6 mm<sup>2</sup> (1/0 - 10 AWG)  
35 mm<sup>2</sup> - 4 mm<sup>2</sup>



- > modular system
- > user-defined stackable
- > to fit on DIN rail TS 35 or installation plate



**AL / CU**



087310-1-3



087310-2-3



087310-3-3



087310-4-3

## For aluminium and copper conductors (Al/Cu)



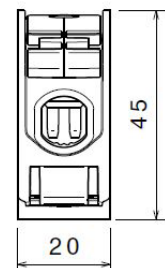
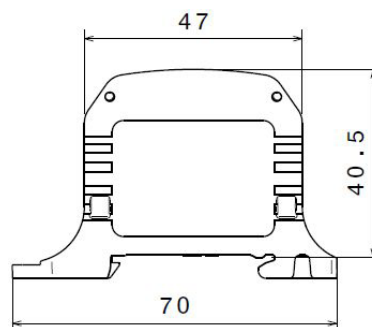
NOMINAL VOLTAGE	NOMINAL CURRENT	STANDARDS
1000 V AC/DC	150 A Cu	IEC 60947-7-1
1000 V AC/DC	150 A Al	EN 61238-1
600 V	150 A Cu / 120 A Al	UL-1059 / CSA C22.2 No.158-10

Model	Part No.	Type	PU	GTIN / EAN
RKA 50 for aluminium/ copper conductors	087310-0-3	RKA 50 L G	9/72	4051589873109
	087310-1-3	RKA 50 N	9/72	4051589873116
	087310-2-3	RKA 50 PE	9/72	4051589873123
	087310-3-3	RKA 50 L B	9/72	4051589873130
	087310-4-3	RKA 50 L S	9/72	4051589873147
	<b>Accessories</b>			
	087300-0-0	dust cover for RKA 50 series	54/972	4051589873000



087300-0-0

Dimensions:



## RKA 50 1/4 - 1 POLE



087320-0-3

### TERMINAL CROSS SECTION

4 x 50 mm<sup>2</sup> - 6 mm<sup>2</sup> (1/0 - 10 AWG)  
35 mm<sup>2</sup> - 4 mm<sup>2</sup>



- > modular system
- > user-defined stackable
- > to fit on DIN rail TS 35 or installation plate



**AL / CU**



087320-1-3



087320-2-3



087320-3-3



087320-4-3

## For aluminium and copper conductors (Al/Cu)



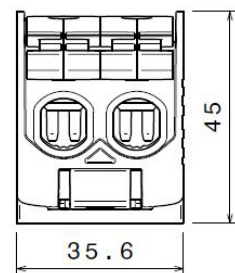
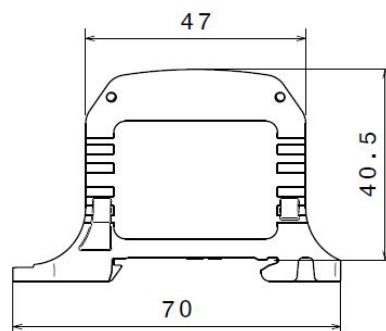
NOMINAL VOLTAGE	NOMINAL CURRENT	STANDARDS
1000 V AC/DC	150 A Cu	IEC 60947-7-1
1000 V AC/DC	150 A Al	EN 61238-1
600 V	150 A Cu / 120 A Al	UL-1059 / CSA C22.2 No.158-10

Model	Part No.	Type	PU	GTIN / EAN
RKA 50 1/4 for aluminium/ copper conductors	087320-0-3	RKA 50 1/4 L G	5/40	4051589873208
	087320-1-3	RKA 50 1/4 N	5/40	4051589873215
	087320-2-3	RKA 50 1/4 PE	5/40	4051589873222
	087320-3-3	RKA 50 1/4 L B	5/40	4051589873239
	087320-4-3	RKA 50 1/4 L S	5/40	4051589873246
	<b>Accessories</b>			
	087300-0-0	dust cover for RKA 50 series	54/972	4051589873000



087300-0-0

Dimensions:



## RKA 50 1/6 - 1 POLE



087360-0-3

### TERMINAL CROSS SECTION

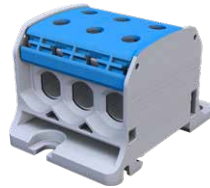
6 x 50 mm<sup>2</sup> - 6 mm<sup>2</sup> (1/0 - 10 AWG)  
35 mm<sup>2</sup> - 4 mm<sup>2</sup>



- > modular system
- > user-defined stackable
- > to fit on DIN rail TS 35 or installation plate



**AL / CU**



087360-1-3



087360-2-3



087360-3-3



087360-4-3

## For aluminium and copper conductors (Al/Cu)



### NOMINAL VOLTAGE

1000 V AC/DC  
1000 V AC/DC  
600 V

### NOMINAL CURRENT

150 A Cu  
150 A Al  
150 A Cu / 120 A Al

### STANDARDS

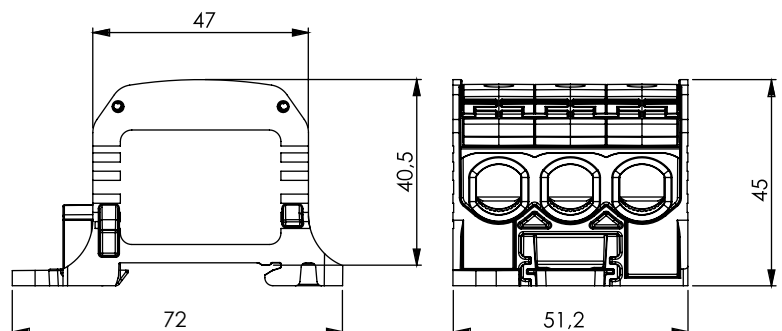
IEC 60947-7-1  
EN 61238-1  
UL-1059 / CSA C22.2 No.158-10

Model	Part No.	Type	PU	GTIN / EAN
RKA 50 1/6 for aluminium/ copper conductors	087360-0-3	RKA 50 1/6 L G	3/24	4051589873604
	087360-1-3	RKA 50 1/6 N	3/24	4051589873611
	087360-2-3	RKA 50 1/6 PE	3/24	4051589873628
	087360-3-3	RKA 50 1/6 L B	3/24	4051589873635
	087360-4-3	RKA 50 1/6 L S	3/24	4051589873642
	<b>Accessories</b>			
	087300-0-0	dust cover for RKA 50 series	54/972	4051589873000



087300-0-0

### Dimensions:



## RKA 50 - 3 POLE



087330-0-3

### TERMINAL CROSS SECTION (PER POLE)

2 x 50 mm<sup>2</sup> - 6 mm<sup>2</sup> (1/0 - 10 AWG)  
 35 mm<sup>2</sup> - 4 mm<sup>2</sup>



- > modular system
- > user-defined stackable
- > to fit on DIN rail TS 35 or installation plate



**AL / CU**



087330-1-3



087330-5-3

### For aluminium and copper conductors (Al/Cu)



NOMINAL VOLTAGE	NOMINAL CURRENT	STANDARDS
1000 V AC/DC	150 A Cu	IEC 60947-7-1
1000 V AC/DC	150 A Al	EN 61238-1
600 V	150 A Cu / 120 A Al	UL-1059 / CSA C22.2 No.158-10

Model	Part No.	Type	PU	GTIN / EAN
RKA 50 3P for aluminium/ copper conductors	087330-0-3	RKA 50 3P 3L G	3/24	4051589873307
	087330-1-3	RKA 50 3P L G/N/PE	3/24	4051589873314
	087330-2-3	RKA 50 3P PE/ L G/N	3/24	4051589873321
	087330-5-3	RKA 50 3P 3L BSG	3/24	4051589873352
	<b>Accessories</b>			
	087300-0-0	dust cover for RKA 50 series	54/972	4051589873000



087300-0-0

Dimensions:

