

## RKA 185 - 1 POLE



087810-0-3

### TERMINAL CROSS SECTION

2 x 185 mm<sup>2</sup> - 95 mm<sup>2</sup> (350 kcmil - 3/0 AWG)  
150 mm<sup>2</sup> - 70 mm<sup>2</sup>



### MEASUREMENT CONNECTION

1 x 10 mm<sup>2</sup> - 1,5 mm<sup>2</sup> (8 - 16 AWG)  
6 mm<sup>2</sup> - 1,5 mm<sup>2</sup> (10 - 16 AWG)



- > modular system
- > user-defined stackable
- > to fit on DIN rail TS 35 or installation plate



**AL / CU**



087810-1-3



087810-2-3



087810-3-3



087810-4-3

## For aluminium and copper conductors (Al/Cu)



### NOMINAL VOLTAGE

1000 V AC/DC  
600 V

### NOMINAL CURRENT

353 A Cu  
310 A Cu / 250 A Al

### STANDARDS

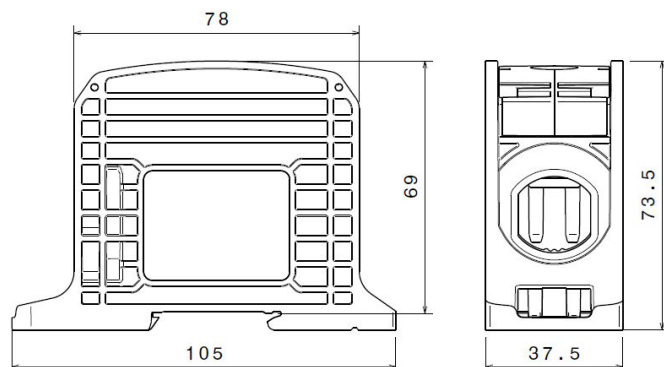
IEC 60947-7-1  
UL-1059 / CSA C22.2 No.158-10

Model	Part No.	Type	PU	GTIN / EAN
RKA 185 for aluminium/ copper conductors	087810-0-3	RKA 185 L G	1/12	4051589878104
	087810-1-3	RKA 185 N	1/12	4051589878111
	087810-2-3	RKA 185 PE	1/12	4051589878128
	087810-3-3	RKA 185 L B	1/12	4051589878135
	087810-4-3	RKA 185 L S	1/12	4051589878142
	<b>Accessories</b>			
	087800-0-0	dust cover for RKA 185 series	12/216	4051589878005



087800-0-0

### Dimensions:



## RKA 185 1/4 - 1 POLE



087820-0-3

### TERMINAL CROSS SECTION

4 x 185 mm<sup>2</sup> - 95 mm<sup>2</sup> (350 kcmil - 3/0 AWG)  
150 mm<sup>2</sup> - 70 mm<sup>2</sup>



- > modular system
- > user-defined stackable
- > to fit on DIN rail TS 35 or installation plate

### MEASUREMENT CONNECTION

2 x 10 mm<sup>2</sup> - 1,5 mm<sup>2</sup> (8 - 16 AWG)  
6 mm<sup>2</sup> - 1,5 mm<sup>2</sup> (10 - 16 AWG)



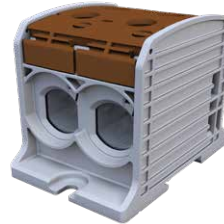
**AL / CU**



087820-1-3



087820-2-3



087820-3-3



087820-4-3

## For aluminium and copper conductors (Al/Cu)



### NOMINAL VOLTAGE

1000 V AC/DC  
600 V

### NOMINAL CURRENT

353 A Cu  
310 A Cu / 250 A Al

### STANDARDS

IEC 60947-7-1  
UL-1059 / CSA C22.2 No.158-10



Model	Part No.	Type	PU	GTIN / EAN
RKA 185 1/4 for aluminium/ copper conductors	087820-0-3	RKA 185 1/4 L G	1/6	4051589878203
	087820-1-3	RKA 185 1/4 N	1/6	4051589878210
	087820-2-3	RKA 185 1/4 PE	1/6	4051589878227
	087820-3-3	RKA 185 1/4 L B	1/6	4051589878234
	087820-4-3	RKA 185 1/4 L S	1/6	4051589878241
<b>Accessories</b>				
	087800-0-0	dust cover for RKA 185 series	12/216	4051589878005



087800-0-0

### Dimensions:

