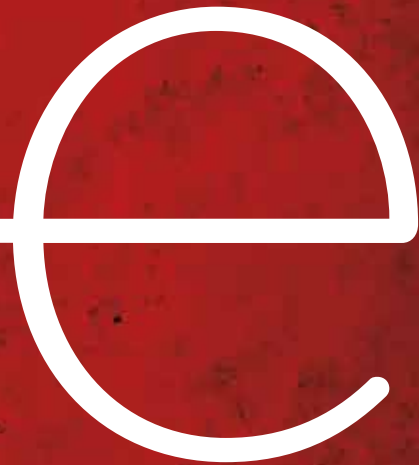


experts in electrical technology



FUTURE SOLUTIONS THAT CONNECT



Smart metering solutions for the energy transition. Power feed-in and distribution terminals for renewable energies. Components for charging station infrastructure and charging plug contacts for electromobility. Solutions for process automation in the context of digitization. Already today electrical solutions from HORA eTec provide you with advantages for your future applications. Our expertise is in demand for real industries of the future. With decades of machining know-how, we help you design your processes future-proof and sustainable.



European market leader
in broaching technology

With our manufacturing expertise, we have developed into one of the most efficient brass based machining parts manufacturers for PCB terminals in Europe. HORA eTec is the European market leader in broaching technology. Our self-developed broaching tools are characterized by a long service life, absolute precision with regard to manufacturing tolerances and an ideal cost-benefit ratio. Thanks to our in-house production of tool sets, we achieve the highest process reliability. We are able to produce any type of clamping geometry – 100 percent with our own-built machinery.

e-COMPETENCE FROM A SINGLE SOURCE

The global purchasing of electromechanical components requires a worldwide partner network. With our machining know-how, our production joint ventures and our development competence, we are your partner along the entire value chain for your machining parts. Where the development focus of many electrical engineering suppliers ends, the work of HORA eTec begins. We are more than just a trading service provider, we are your system provider for electromechanical components. Test us. We look forward to meeting you!



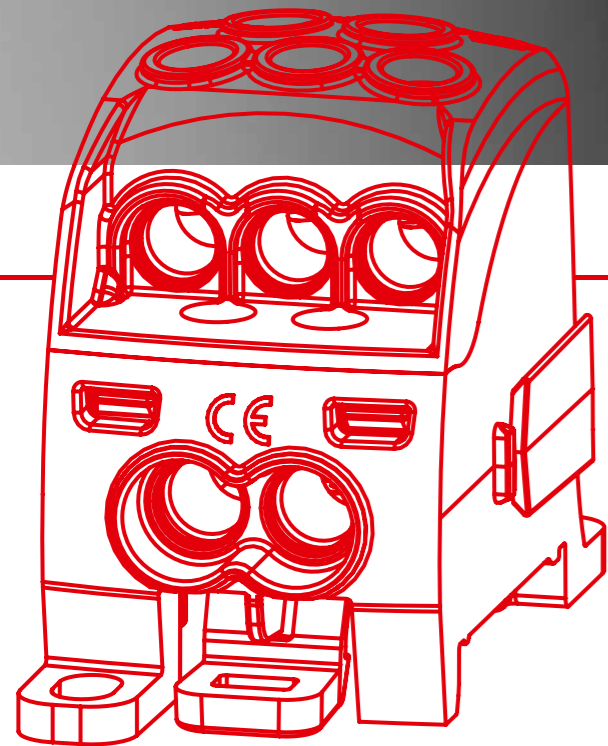
**Sustainable materials: we already
machine lead-free brass alloys**

Thanks to our decades of know-how in machining technology, we are able to process lead-free brass alloys in accordance with the new RoHS III (Directive EU 2017/2102). Always tailored to your customer-specific applications, your field of application and cost-effectiveness.



**Individual solutions for your application
or standard components**

You are looking for custom designed components? We design precise machining components tailored to your component requirements. We use the most economical production process in order to offer you an ideal cost-benefit ratio. In addition to customer-specific solutions, we also offer a broad portfolio of innovative and specially developed electrical components for various applications.



e-COMPONENTS INNOVATIVE, EFFICIENT AND SPACE-SAVING

Electrical components from HORA eTec stand for user-friendliness, cost efficiency and safety at the same time. They are characterized by low space requirements and short assembly times. They are suitable for use in all global markets. They are certified according to all relevant national and international test standards and are compatible with both copper and aluminium conductors. Our components are used in versatile applications such as mechanical engineering, domestic and building installation technology, industrial plants, automation technology, switchgear for electrical engineering, renewable energies and special applications such as explosion-protected areas.

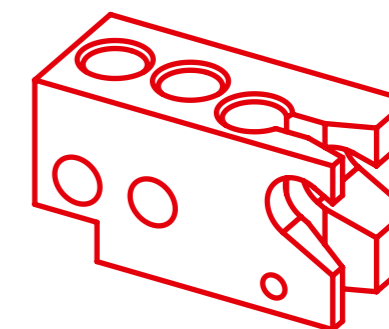
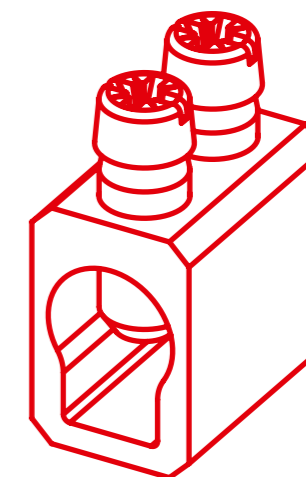
- main line branch terminals
- power distribution blocks
- sub-distribution blocks
- aluminium terminal blocks
- N/PE-rails
- conductor connection terminals
- busbars



e-MACHINED PARTS WITH 100 YEARS OF PRODUCTION KNOW-HOW

Simple or complex. Small or sample series from 10 to 500 pieces. Mass production of up to 100 million parts. HORA eTec offers a wide range of production processes and thus ensures an ideal price/performance ratio for customer-specific electrical machined parts. We produce complex articles at our German location, standard parts at best-cost conditions in our international partner network. We provide advice as early as the design process and determine suitable machine concepts that are precisely tailored to your individual applications. Machinability and economic efficiency are our main priorities. We are specialists in the processing of non-ferrous metals. We primarily process brass, copper and electrolytic copper alloys. Our portfolio also includes alloys of lead-free brass according to the new RoHS regulation and, more recently, aluminium. Our machining focus is on the processing of AlMgSi alloys of the 6,000 series. Our purchasing volumes enable us to purchase our semifinished products at top conditions.

You benefit from this!



- PCB-terminals
- meter connection terminals
- circuit breaker terminals
- plugs & sockets
- N/PE-rails
- terminal and distribution blocks
- electrical engineering parts
- aluminium connector terminals

HORA eTec stands for high process reliability and economical efficiency at the same time. We have developed from a contract manufacturer to a system provider for electrical engineering. We support you with our decades of machining know-how along the entire value chain for electromechanical solutions. With investments in modern machinery and the development of new product groups, we are consistently continuing this step in an international partner network. We continue to develop in a targeted manner. Stay "tensed".

UNDER TENSION
WITH HORA eTec

hora-etec.com

since 1919

HORA eTec GmbH

Lange Str. 65
D-32257 Bünde (Germany)

+49 52 23 / 49 80 - 0
info@hora-etec.com
www.hora-etec.com