

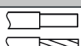

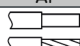




# Technical data

Description:	Terminal block RKA 95
Construction:	Fingersafe IP 20
Item no. :	087510

Remarks:	The product is compliant with the EC ROHS directives	
Standards:	IEC 60947-7-1, IEC 61238-1	UL 1059, CSA-C22.2 No. 158
		
Nominal Voltage:	1.000 V AC / 1.000 V DC	1.000 V AC
Nominal current:	Cu 232 A, Al 200 A	Cu 200 A, Al 155 A
Rated cross-section:	95 mm <sup>2</sup>	AWG 3/0
Impulse withstand voltage:	8 kV	
Pollution degree:	3	
Surge voltage category:	III	
CTI value:	550	550

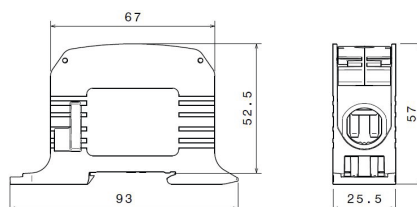
Terminal cross section:	no. of connections: 2 x 95 mm <sup>2</sup> (all conductor types)			no. of connections: 2 x AWG 3/0 (all conductor types)			
		IEC 60947-7-1		IEC 61238-1		UL 1059, CSA-C22.2 No. 158	
		Cu	Al	Cu	Al	Al	
	95 mm <sup>2</sup>						
	70 mm <sup>2</sup>	19 Nm	-	-	-	22,6 Nm	
	50 mm <sup>2</sup>	-	19 Nm	-	-	-	
	35 mm <sup>2</sup>	-	-	22,6 Nm	-	-	
	25 mm <sup>2</sup>	14 Nm	-	-	-	-	
	16 mm <sup>2</sup>	-	14 Nm	-	-	-	
	10 mm <sup>2</sup>	-	-	-	-	-	
	stripping length	26 mm			26 mm		
	allen screw	M14 (SW 6 mm)			M14 (SW 6 mm)		

Measurement connection:	no. of connections: 1 x 10 mm <sup>2</sup> (all conductor types)			no. of connections: 1 x AWG 8 (all conductor types)			
	10 mm <sup>2</sup>	-	-	-	-	-	
	6 mm <sup>2</sup>	1,2 Nm	-	-	-	-	
	4 mm <sup>2</sup>	-	1,2 Nm	-	-	-	
	2,5 mm <sup>2</sup>	-	-	2,3 Nm	-	-	
	1,5 mm <sup>2</sup>	-	-	-	2,3 Nm	-	
	stripping length	10 mm			10 mm		
	screw	M4 (+/- PZ2)			M4 (+/- PZ2)		

	 solid	 compact stranded	 fine stranded with ferrule
Materials:	Terminal body: Aluminium	tin plated	
	Housing: PA 6 (Halogen-free)		
	Screws: Steel	zinc plated	

Flame resistance:	Self-extinguishing
-------------------	--------------------

Mechanical data:	Dimensions: width x height x depth (mm): 25,5 x 57 x 93
------------------	---





## Design



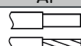


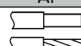
Basic housing colour – light grey RAL 7035

Part no.	Design	Cover colour	PU	GTIN (EAN)
087510-0-3	L G	light grey RAL 7035	2 / 36	4051589875103
087510-1-3	N	light blue RAL 5012	2 / 36	4051589875110
087510-2-3	PE	yellow-green RAL 6018	2 / 36	4051589875127
087510-3-3	LB	clay brown RAL 8003	2 / 36	4051589875134
087510-4-3	LS	jet black RAL 9005	2 / 36	4051589875141




# Technical data

Description:	Terminal block RKA 95 D
Construction:	Fingersafe IP 20
Item no. :	087520

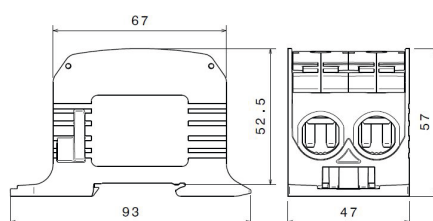
Remarks:	The product is compliant with the EC ROHS directives	
Standards:	IEC 60947-7-1, IEC 61238-1	UL 1059, CSA-C22.2 No. 158
		
Nominal Voltage:	1.000 V AC / 1.000 V DC	1.000 V AC
Nominal current:	Cu 232 A	Cu 200 A, Al 155 A
Rated cross-section:	95 mm <sup>2</sup>	AWG 3/0
Impulse withstand voltage:	8 kV	
Pollution degree:	3	
Surge voltage category:	III	
CTI value:	550	550

Terminal cross section:	no. of connections: 4 x 95 mm <sup>2</sup> (all conductor types)			no. of connections: 4 x AWG 3/0 (all conductor types)			
		IEC 60947-7-1		IEC 61238-1		UL 1059, CSA-C22.2 No. 158	
		Cu	Al		Cu	Al	
	95 mm <sup>2</sup>						
	70 mm <sup>2</sup>	19 Nm	-	-	22,6 Nm	-	-
	50 mm <sup>2</sup>	-	19 Nm	-	-	22,6 Nm	-
	35 mm <sup>2</sup>	-	-	-	-	22,6 Nm	-
	25 mm <sup>2</sup>	14 Nm	-	-	-	-	-
	16 mm <sup>2</sup>	-	14 Nm	-	-	-	-
	10 mm <sup>2</sup>	-	-	-	-	-	-
	stripping length	26 mm			26 mm		
	allen screw	M14 (SW 6 mm)			M14 (SW 6 mm)		

Measurement connection:	no. of connections: 2 x 10 mm <sup>2</sup> (all conductor types)			no. of connections: 2 x AWG 8 (all conductor types)			
	10 mm <sup>2</sup>	-	-	-	-	-	
	6 mm <sup>2</sup>	1,2 Nm	-	-	-	-	
	4 mm <sup>2</sup>	-	1,2 Nm	-	-	-	
	2,5 mm <sup>2</sup>	-	-	-	2,3 Nm	-	
	1,5 mm <sup>2</sup>	-	-	-	-	-	
	stripping length	10 mm			10 mm		
	screw	M4 (+/- PZ2)			M4 (+/- PZ2)		

	 solid	 compact stranded	 fine stranded with ferrule
Materials:	Terminal body: Aluminium	tin plated	
	Housing: PA 6 (Halogen-free)		
	Screws: Steel	zinc plated	

Flame resistance:	Self-extinguishing
Mechanical data:	Dimensions: width x height x depth (mm): 47 x 57 x 93



## Design






Basic housing colour – light grey RAL 7035


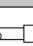



Part no.	Design	Cover colour	PU	GTIN (EAN)
087520-0-3	L G	light grey RAL 7035	1 / 18	4051589875202
087520-1-3	N	light blue RAL 5012	1 / 18	4051589875219
087520-2-3	PE	yellow-green RAL 6018	1 / 18	4051589875226
087520-3-3	LB	clay brown RAL 8003	1 / 18	4051589875233
087520-4-3	LS	jet black RAL 9005	1 / 18	4051589875240

# Technical data

Description:	Terminal block RKA 95 1/6
Construction:	Fingersafe IP 20
Item no. :	087560

Remarks:	The product is compliant with the EC ROHS directives	
Standards:	IEC 60947-7-1, IEC 61238-1	UL 1059, CSA-C22.2 No. 158

	  	 
Nominal Voltage:	1.000 V AC / 1.000 V DC	1.000 V AC
Nominal current:	Cu 232 A, Al 200 A	Cu 200 A, Al 155 A
Rated cross-section:	95 mm <sup>2</sup>	AWG 3/0
Impulse withstand voltage:	8 kV	
Pollution degree:	3	
Surge voltage category:	III	
CTI value:	550	550

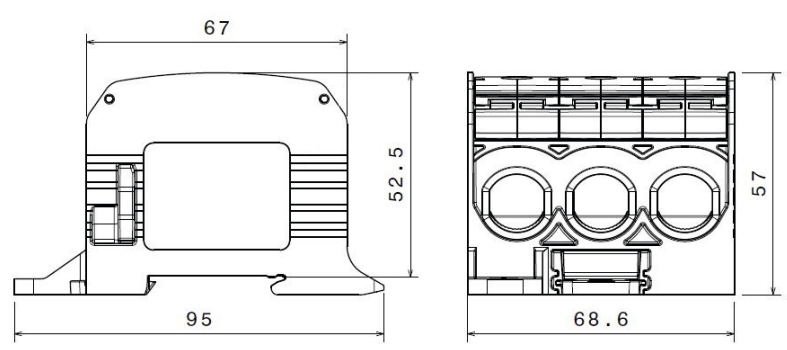
Terminal cross section:	no. of connections: 6 x 95 mm <sup>2</sup> (all conductor types)			no. of connections: 6 x AWG 3/0 (all conductor types)			
		IEC 60947-7-1		IEC 61238-1		UL 1059, CSA-C22.2 No. 158	
		Cu	Al	Cu	Al	Al	
	95 mm <sup>2</sup>						
	70 mm <sup>2</sup>	19 Nm	-	-	-	22,6 Nm	
	50 mm <sup>2</sup>	-	19 Nm	22,6 Nm	22,6 Nm	22,6 Nm	
	35 mm <sup>2</sup>	-	-	-	-	-	
	25 mm <sup>2</sup>	14 Nm	-	-	-	-	
	16 mm <sup>2</sup>	-	14 Nm	-	-	-	
	10 mm <sup>2</sup>	-	-	-	-	-	
	stripping length	26 mm			26 mm		
	allen screw	M14 (SW 6 mm)			M14 (SW 6 mm)		

Measurement connection:	no. of connections: 2 x 10 mm <sup>2</sup> (all conductor types)			no. of connections: 2 x AWG 8 (all conductor types)			
		Cu	Al	Cu	Al	Al	
	10 mm <sup>2</sup>	-	-	-	-	-	
	6 mm <sup>2</sup>	1,2 Nm	-	2,3 Nm	-	-	
	4 mm <sup>2</sup>	-	1,2 Nm	-	2,3 Nm	-	
	2,5 mm <sup>2</sup>	-	-	-	-	-	
	1,5 mm <sup>2</sup>	-	-	-	-	-	
	stripping length	10 mm			10 mm		
	screw	M4 (+/- PZ2)			M4 (+/- PZ2)		

Materials:	 solid	 compact stranded	 fine stranded with ferrule
	Terminal body:	Aluminium	tin plated
	Housing:	PA 6 (Halogen-free)	zinc plated
	Screws:	Steel	zinc plated

Flame resistance:	Self-extinguishing
-------------------	--------------------

Mechanical data:	Dimensions: width x height x depth (mm):	68,6 x 57 x 95
------------------	--	----------------



Design				
Basic housing colour – light grey RAL 7035				
Part no.	Design	Cover colour	PU	GTIN (EAN)
087560-0-3	L G	light grey RAL 7035	1 / 12	4051589875608
087560-1-3	N	light blue RAL 5012	1 / 12	4051589875615
087560-2-3	PE	yellow-green RAL 6018	1 / 12	4051589875622
087560-3-3	LB	clay brown RAL 8003	1 / 12	4051589875639
087560-4-3	LS	jet black RAL 9005	1 / 12	4051589875646