


# Technical data

Description:	Terminal block RKA 185
Construction:	Fingersafe IP 20
Item no. :	087810

16.03.2022

Remarks: The product is compliant with the EC ROHS directives

Standards: IEC 60947-7-1 UL 1059, CSA-C22.2 No. 158

CE  FI  us

Nominal Voltage: 1.000 V AC / 1.000 V DC 1.000 V AC

Nominal current: Cu 353 A Cu 310 A, Al 250 A

Rated cross-section: 185 mm<sup>2</sup> 350 kcmil

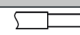


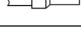
Impulse withstand voltage: 8 kV



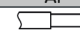



Pollution degree: 3

Surge voltage category: III



CTI value: 550 550



Terminal cross section:

	no. of connections: 2 x 185 mm <sup>2</sup> (all conductor types)		
	IEC 60947-7-1		
	Cu		
185 mm <sup>2</sup>			-
150 mm <sup>2</sup>			-
120 mm <sup>2</sup>	25 Nm	25 Nm	-
95 mm <sup>2</sup>	-	-	-
70 mm <sup>2</sup>	-	-	-
50 mm <sup>2</sup>	-	20 Nm	-
35 mm <sup>2</sup>	-	-	-
25 mm <sup>2</sup>	-	-	-
stripping length	29 mm		
allen screw	M18 (SW 10 mm)		

	no. of connections: 2 x 350 kcmil (all conductor types)		
	UL 1059, CSA-C22.2 No. 158		
	Cu		Al
350 kcmil			
300 kcmil			
250 kcmil	28,2 Nm	28,2 Nm	45 Nm
AWG 3/0	-	-	-
AWG 2/0	-	-	-
AWG 1/0	-	-	-
AWG 2	-	-	-
AWG 4	-	-	-
stripping length	29 mm		
allen screw	M18 (SW 10 mm)		

Measurement connection:

	no. of connections: 1 x 10 mm <sup>2</sup> (all conductor types)		
	IEC 60947-7-1		
10 mm <sup>2</sup>			-
6 mm <sup>2</sup>	1,2 Nm	1,2 Nm	-
4 mm <sup>2</sup>	-	-	-
2,5 mm <sup>2</sup>	-	-	-
1,5 mm <sup>2</sup>	-	-	-
stripping length	10 mm		
screw	M4 (+/- PZ2)		

	no. of connections: 1 x AWG 8 (all conductor types)		
	UL 1059, CSA-C22.2 No. 158		
AWG 8			-
AWG 10	2,3 Nm	2,3 Nm	-
AWG 12	-	-	-
AWG 14	-	-	-
AWG 16	-	-	-
stripping length	10 mm		
screw	M4 (+/- PZ2)		

 solid  compact stranded  fine stranded with ferrule

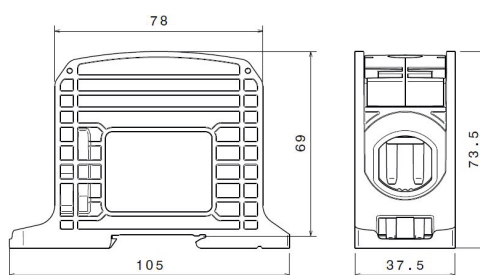
Materials: Terminal body: Aluminium tin plated

Housing: PA 6 (Halogen-free)

Screws: Steel zinc plated

Flame resistance: Self-extinguishing

Mechanical data: Dimensions: width x height x depth (mm): 37,5 x 73,5 x 105



## Design

Basic housing colour – light grey RAL 7035

Part no.	Design	Cover colour	PU	GTIN (EAN)
087810-0-3	L G	light grey RAL 7035	1 / 12	4051589878104
087810-1-3	N	light blue RAL 5012	1 / 12	4051589878111
087810-2-3	PE	yellow-green RAL 6018	1 / 12	4051589878128
087810-3-3	LB	clay brown RAL 8003	1 / 12	4051589878135
087810-4-3	L S	jet black RAL 9005	1 / 12	4051589878142

# Technical data



16.03.2022

Description:	Terminal block RKA 185 D
Construction:	Fingersafe IP 20
Item no. :	087820

Remarks: The product is compliant with the EC ROHS directives

Standards: IEC 60947-7-1 UL 1059, CSA-C22.2 No. 158

CE, RoHS, FI, C, R, US

Nominal Voltage: 1.000 V AC / 1.000 V DC 1.000 V AC

Nominal current: Cu 353 A Cu 310 A, Al 250 A

Rated cross-section: 185 mm<sup>2</sup> 350 kcmil

Impulse withstand voltage: 8 kV

Pollution degree: 3

Surge voltage category: III

CTI value: 550 550

Terminal cross section:	no. of connections: 4 x 185 mm <sup>2</sup> (all conductor types)			no. of connections: 4 x 350 kcmil (all conductor types)		
	IEC 60947-7-1			UL 1059, CSA-C22.2 No. 158		
	Cu			Cu Al		
185 mm <sup>2</sup>						
150 mm <sup>2</sup>						
120 mm <sup>2</sup>	25 Nm		25 Nm	28,2 Nm	28,2 Nm	45 Nm
95 mm <sup>2</sup>						
70 mm <sup>2</sup>						
50 mm <sup>2</sup>						
35 mm <sup>2</sup>			20 Nm			
25 mm <sup>2</sup>						
stripping length	29 mm			29 mm		
allen screw	M18 (SW 10 mm)			M18 (SW 10 mm)		

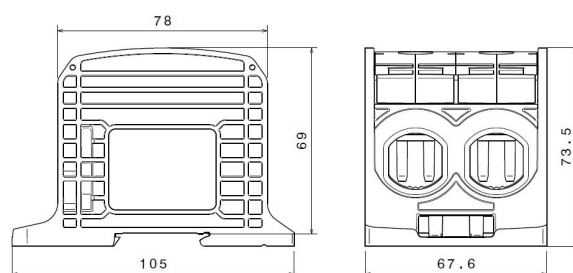
Measurement connection:	no. of connections: 2 x 10 mm <sup>2</sup> (all conductor types)			no. of connections: 2 x AWG 8 (all conductor types)		
	10 mm <sup>2</sup>					
6 mm <sup>2</sup>						
4 mm <sup>2</sup>	1,2 Nm		1,2 Nm	2,3 Nm	2,3 Nm	
2,5 mm <sup>2</sup>						
1,5 mm <sup>2</sup>						
stripping length	10 mm			10 mm		
screw	M4 (+/- PZ2)			M4 (+/- PZ2)		

solid     
 compact stranded     
 fine stranded with ferrule

Materials: Terminal body: Aluminium tin plated  
 Housing: PA 6 (Halogen-free)  
 Screws: Steel zinc plated

Flame resistance: Self-extinguishing

Mechanical data: Dimensions: width x height x depth (mm): 67,6 x 73,5 x 105



Design				
Basic housing colour – light grey RAL 7035				
Part no.	Design	Cover colour	PU	GTIN (EAN)
087820-0-3	L G	light grey RAL 7035	1 / 6	4051589878203
087820-1-3	N	light blue RAL 5012	1 / 6	4051589878210
087820-2-3	PE	yellow-green RAL 6018	1 / 6	4051589878227
087820-3-3	LB	clay brown RAL 8003	1 / 6	4051589878234
087820-4-3	L S	jet black RAL 9005	1 / 6	4051589878241