

Technical data

Description:	Main Line Branch Terminal 25 mm ² – 1 pole (Al/Cu)
Construction:	Model C – all-side fingersafe, modular system
Item no. :	080110-x-3

Remarks: The product is compliant with the EC ROHS directives

Standards: IEC 60947-7-1, IEC 61238-1, UL-1059 / CSA C22.2 No.158-10, DIN VDE 0603-3-1



Nominal Voltage: 1.000 V AC / 1.000 V DC

Nominal current: Cu 152 A (2x16mm²); 101 A (1x25mm²) as per IEC 60947-7-1
Al 100 A (1x25mm²)* as per IEC 61238-1 (Class A)

* Approved with Reko SFS 4880 (manufactured by Reka Cables Ltd)

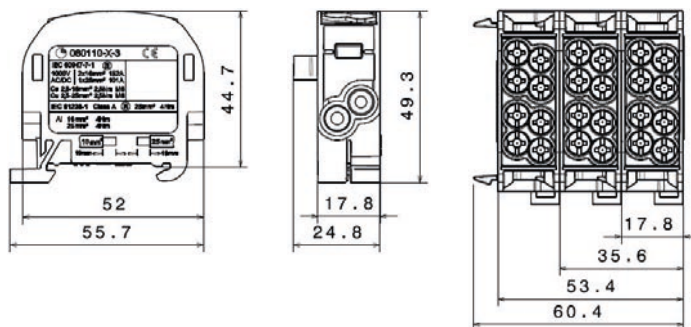
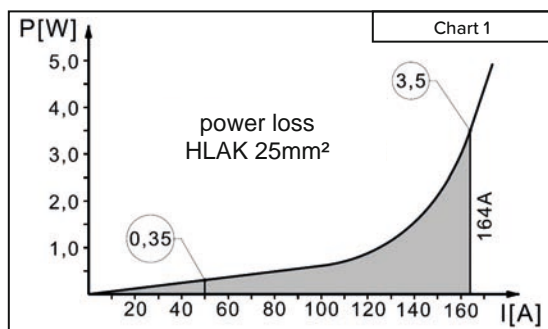
Power loss: Tested by SGS Fimko Ltd (FI) (see chart 1)

	2 x 25 mm ² (round conductor)			2 x 16 mm ² (round conductor)		
	Cu	Al		Cu	Al	
25 mm ²						
16 mm ²			4 Nm			4 Nm
10 mm ²	2,5 Nm	2,5 Nm		2,5 Nm	2,5 Nm	
6 mm ²						
4 mm ²						
2,5 mm ²						
1,5 mm ²	-			-		
stripping length	19 mm			19 mm		
screw	M6 (+/- PZ2)			M6 (+/- PZ2)		

Materials: Terminal body: brass (CuZn39Pb2) 3-4µm Ni / 7-10µm Sn
Housing: PA 6 (Halogen-free)
Screws: steel Zn thick-film passivated

Flame resistance: Self-extinguishing

Mechanical data: Dimensions: width x height x depth (mm): 24,8 x 49,3 x 55,7



Design

Basic housing colour – light grey RAL 7035

Part no.	Design	Cover colour	PU	GTIN (EAN)
080110-0-3	L "G"	light grey RAL 7035	5	4051589011037
080110-1-3	N	light blue RAL 5012	5	4051589011136
080110-2-3	PE	yellow-green RAL 6018	5	4051589011235
080110-3-3	L "B"	clay brown RAL 8003	5	4051589011334
080110-4-3	L "S"	jet black RAL 9005	5	4051589011433

Technical data

Description:	Main Line Branch Terminal 25 mm ² – 1 pole (Cu)
Construction:	Model C – all-side fingersafe, modular system
Item no. :	080110-x-4

Remarks: The product is compliant with the EC ROHS directives

Standards: IEC 60947-7-1, DIN VDE 0603-3-1



Nominal Voltage: 1.000 V AC / 1.000 V DC

Nominal current: Cu 152 A (2x16mm²); 101 A (1x25mm²) as per IEC 60947-7-1

Power loss: Tested by SGS Fimko Ltd (FI) (see chart 1)

Terminal cross section:

	2 x 25 mm ² (round conductor)		2 x 16 mm ² (round conductor)		
	Cu		Cu		
25 mm ²	2,5 Nm	-	-	-	
16 mm ²		-	-	-	
10 mm ²		2,5 Nm	2,5 Nm	2,5 Nm	2,5 Nm
6 mm ²					
4 mm ²					
2,5 mm ²					
1,5 mm ²	-	-	-	-	
stripping length	19 mm		19 mm		
screw	M6 (+/- PZ2)		M6 (+/- PZ2)		

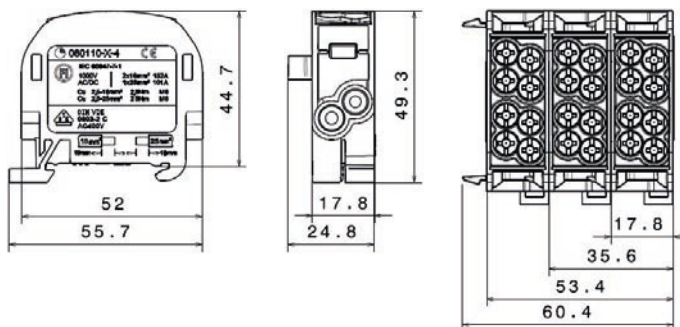
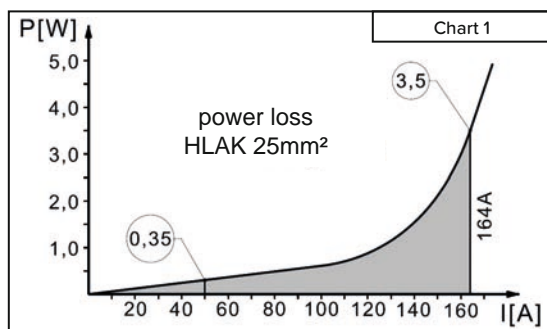
Materials: Terminal body: brass (CuZn39Pb2) bright

Housing: PA 6 (Halogen-free)

Screws: steel Zn thick-film passivated

Flame resistance: Self-extinguishing

Mechanical data: Dimensions: width x height x depth (mm): 24,8 x 49,3 x 55,7



Design

Basic housing colour – light grey RAL 7035

Part no.	Design	Cover colour	PU	GTIN (EAN)
080110-0-4	L "G"	light grey RAL 7035	5	4051589801102
080110-1-4	N	light blue RAL 5012	5	4051589801119
080110-2-4	PE	yellow-green RAL 6018	5	4051589801126
080110-3-4	L "B"	clay brown RAL 8003	5	4051589801133
080110-4-4	L "S"	jet black RAL 9005	5	4051589801140

HORA eTec GmbH

Lange Strasse 65, D - 32257 Bünde, Phone: +49 (0) 52 23 / 49 80 - 0

E-mail: info@hora-etec.com, Internet: www.hora-etec.com

Technical data

Description:	Main Line Branch Terminal 25 mm ² „double block“ – 1 pole (Al/Cu)
Construction:	Model C – all-side fingersafe, modular system
Item no. :	080120-x-3

Remarks: The product is compliant with the EC ROHS directives

Standards: IEC 60947-7-1, IEC 61238-1-1, UL-1059 / CSA C22.2 No.158-10, DIN VDE 0603-3-1



Nominal Voltage: 1.000 V AC / 1.000 V DC

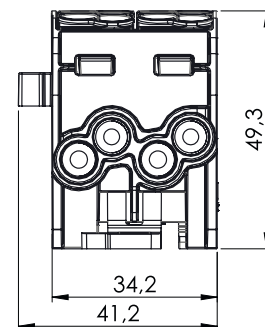
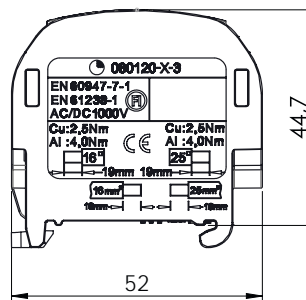
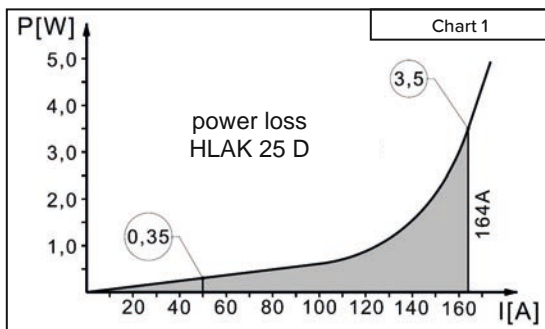
Nominal current: Cu 328 A (4x16mm²); 101 A (1x25mm²) as per IEC 60947-7-1
Al ??? A (1x25mm²) as per IEC 61238-1-1 Class A (mechanical Class 1)

Terminal cross section:	4 x 25 mm ² (round conductor)			4 x 16 mm ² (round conductor)		
		Cu	Al		Cu	Al
25 mm ²						
16 mm ²			4 Nm			4 Nm
10 mm ²	2,5 Nm			2,5 Nm		
6 mm ²		2,5 Nm			2,5 Nm	
4 mm ²			-			-
2,5 mm ²						
1,5 mm ²	-			-		
stripping length	19 mm			19 mm		
screw	M6 (+/- PZ2)			M6 (+/- PZ2)		

Materials: Terminal body: brass (CuZn39Pb2) 3-4µm Ni / 7-10µm Sn
Housing: PA 6 (Halogen-free)
Screws: steel Zn thick-film passivated

Flame resistance: Self-extinguishing

Mechanical data: Dimensions: width x height x depth (mm): 41,2 x 49,3 x 52



Design

Basic housing colour – light grey RAL 7035

Part no.	Design	Cover colour	PU	GTIN (EAN)
080120-0-3	L "G"	light grey RAL 7035	2	4051589012034
080120-1-3	N	light blue RAL 5012	2	4051589012133
080120-2-3	PE	yellow-green RAL 6018	2	4051589012232
080120-3-3	L "B"	clay brown RAL 8003	2	4051589012331
080120-4-3	L "S"	jet black RAL 9005	2	4051589012430

Technical data

Description:	Main Line Branch Terminal 25 mm ² „double block“ – 1 pole (Cu)
Construction:	Model C – all-side fingersafe, modular system
Item no. :	080120-x-4

Remarks: The product is compliant with the EC ROHS directives

Standards: IEC 60947-7-1, DIN VDE 0603-3-1



Nominal Voltage: 1.000 V AC / 1.000 V DC

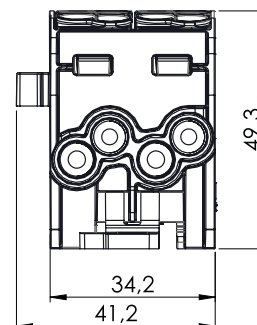
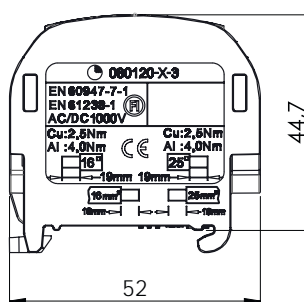
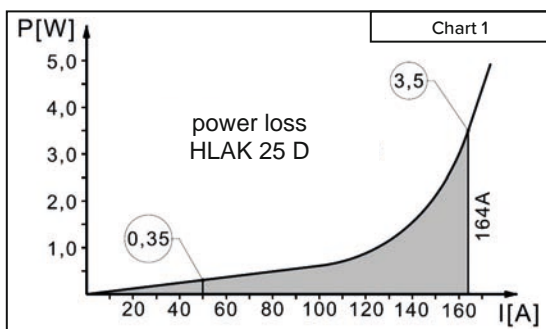
Nominal current: Cu 328 A (4x16mm²); 101 A (1x25mm²) as per IEC 60947-7-1

Terminal cross section:	4 x 25 mm ² (round conductor)		4 x 16 mm ² (round conductor)	
	Cu		Cu	
25 mm ²				
16 mm ²	2,5 Nm		2,5 Nm	
10 mm ²				
6 mm ²				
4 mm ²				
2,5 mm ²	-		-	
1,5 mm ²	-		-	
stripping length	19 mm		19 mm	
screw	M6 (+/- PZ2)		M6 (+/- PZ2)	

Materials: Terminal body: brass (CuZn39Pb2) bright
 Housing: PA 6 (Halogen-free)
 Screws: steel Zn thick-film passivated

Flame resistance: Self-extinguishing

Mechanical data: Dimensions: width x height x depth (mm): 41,2 x 49,3 x 52



Design

Basic housing colour – light grey RAL 7035

Part no.	Design	Cover colour	PU	GTIN (EAN)
080120-0-4	L "G"	light grey RAL 7035	2	4051589801201
080120-1-4	N	light blue RAL 5012	2	4051589801218
080120-2-4	PE	yellow-green RAL 6018	2	4051589801225
080120-3-4	L "B"	clay brown RAL 8003	2	4051589801232
080120-4-4	L "S"	jet black RAL 9005	2	4051589801249

Technical data

Description:	Main Line Branch Terminal 25 mm ² – 3 pole (Al/Cu)
Construction:	Model C – all-side fingersafe, modular system
Item no. :	080130-x-3

Remarks: The product is compliant with the EC ROHS directives

Standards: IEC 60947-7-1, IEC 61238-1, UL-1059 / CSA C22.2 No.158-10, DIN VDE 0603-3-1



Nominal Voltage: 1.000 V AC / 1.000 V DC

Nominal current: Cu 152 A (2x16mm²); 101 A (1x25mm²) as per IEC 60947-7-1
Al 100 A (1x25mm²)* as per IEC 61238-1 (Class A)

* Approved with Reko SFS 4880 (manufactured by Reka Cables Ltd)

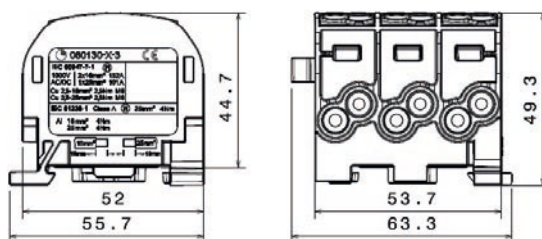
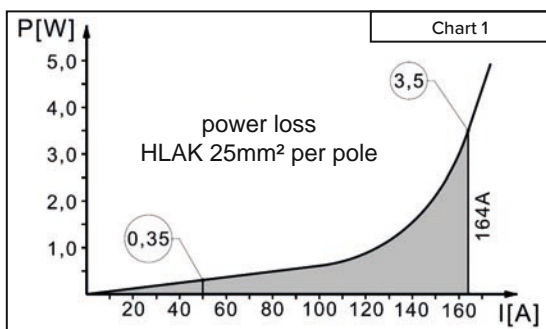
Power loss: Tested by SGS Fimko Ltd (FI) (see chart 1)

Terminal cross section: (per pole)	2 x 25 mm ² (round conductor)			2 x 16 mm ² (round conductor)		
	Cu		Al	Cu		Al
25 mm ²						
16 mm ²	2,5 Nm	2,5 Nm	4 Nm	2,5 Nm	2,5 Nm	4 Nm
10 mm ²			-			-
6 mm ²			-			-
4 mm ²			-			-
2,5 mm ²	-	-	-	-	-	-
1,5 mm ²	-	-	-	-	-	-
stripping length	19 mm			19 mm		
screw	M6 (+/- PZ2)			M6 (+/- PZ2)		

Materials:
Terminal body: brass (CuZn39Pb2) 3-4µm Ni / 7-10µm Sn
Housing: PA 6 (Halogen-free)
Screws: steel Zn thick-film passivated

Flame resistance: Self-extinguishing

Mechanical data: Dimensions: width x height x depth (mm): 63,3 x 49,3 x 55,7



Design						
Basic housing colour – light grey RAL 7035						
Part no.	Design	Cover colour			PU	GTIN (EAN)
080130-0-3	3L G				2	4051589013031
080130-1-3	L G / N / PE				2	4051589013130
080130-2-3	PE / L G / N				2	4051589013239
080130-3-3	2L G / N				2	4051589013338
080130-4-3	2L G / PE				2	4051589013437
080130-5-3	3L BSG				2	4051589013536

Technical data

Description:	Main Line Branch Terminal 25 mm ² – 3 pole (Cu)
Construction:	Model C – all-side fingersafe, modular system
Item no. :	080130-x-4

Remarks: The product is compliant with the EC ROHS directives

Standards: IEC 60947-7-1, DIN VDE 0603-3-1



Nominal Voltage: 1.000 V AC / 1.000 V DC

Nominal current: Cu 152 A (2x16mm²); 101 A (1x25mm²) as per IEC 60947-7-1

Power loss: Tested by SGS Fimko Ltd (FI) (see chart 1)

Terminal cross section:
(per pole)

	2 x 25 mm ² (round conductor)		2 x 16 mm ² (round conductor)	
	Cu		Cu	
25 mm ²	2,5 Nm	2,5 Nm	-	-
16 mm ²			-	-
10 mm ²			-	-
6 mm ²			-	-
4 mm ²			-	-
2,5 mm ²			-	-
1,5 mm ²	-	-	-	-
stripping length	19 mm		19 mm	
screw	M6 (+/- PZ2)		M6 (+/- PZ2)	

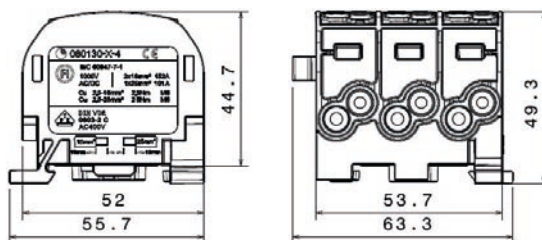
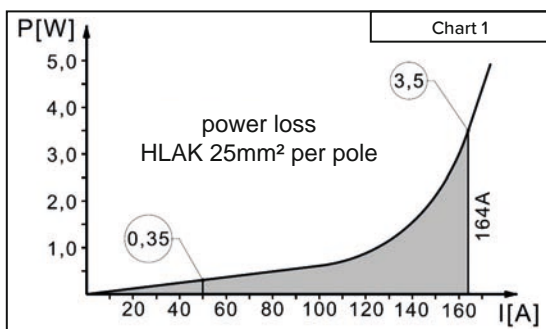
Materials: Terminal body: brass (CuZn39Pb2) bright

Housing: PA 6 (Halogen-free)

Screws: steel Zn thick-film passivated

Flame resistance: Self-extinguishing

Mechanical data: Dimensions: width x height x depth (mm): 63,3 x 49,3 x 55,7



Design

Basic housing colour – light grey RAL 7035

Part no.	Design	Cover colour			PU	GTIN (EAN)
080130-0-4	3L				2	4051589801300
080130-1-4	L / N / PE				2	4051589801317
080130-2-4	PE / L / N				2	4051589801324
080130-3-4	2L / N				2	4051589801331
080130-4-4	2L / PE				2	4051589801348
080130-5-4	3L BSG				2	4051589801355

Technical data

Description:	Main Line Branch Terminal 25 mm ² – 5 pole (Al/Cu)
Construction:	Model C – all-side fingersafe, modular system
Item no. :	080150-x-3

Remarks: The product is compliant with the EC ROHS directives

Standards: IEC 60947-7-1, IEC 61238-1, DIN VDE 0603-3-1



Nominal Voltage: 1.000 V AC / 1.000 V DC

Nominal current: Cu 152 A (2x16mm²); 101 A (1x25mm²) as per IEC 60947-7-1
Al 100 A (1x25mm²)* as per IEC 61238-1 (Class A)

* Approved with Reko SFS 4880 (manufactured by Reka Cables Ltd)

Power loss: Tested by SGS Fimko Ltd (FI) (see chart 1)

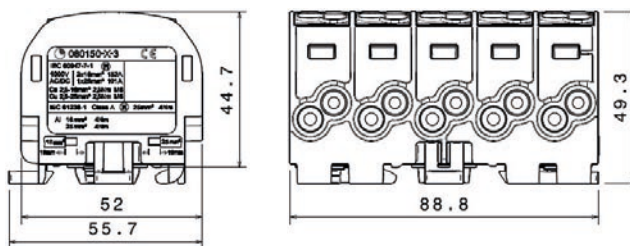
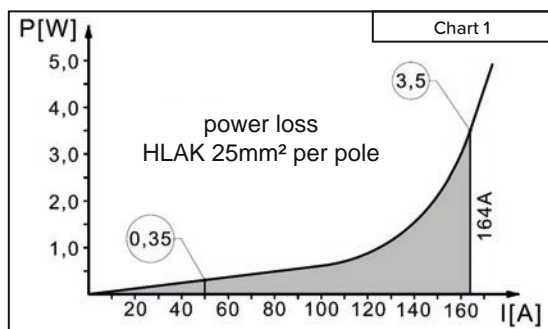
Terminal cross section:
(per pole)

	2 x 25 mm ² (round conductor)			2 x 16 mm ² (round conductor)		
	Cu		Al	Cu		Al
25 mm ²						
16 mm ²			4 Nm			4 Nm
10 mm ²	2,5 Nm	2,5 Nm		2,5 Nm	2,5 Nm	
6 mm ²						
4 mm ²						
2,5 mm ²						
1,5 mm ²						
stripping length	19 mm			19 mm		
screw	M6 (+/- PZ2)			M6 (+/- PZ2)		

Materials: Terminal body: brass (CuZn39Pb2) 3-4µm Ni / 7-10µm Sn
Housing: PA 6 (Halogen-free)
Screws: steel Zn thick-film passivated

Flame resistance: Self-extinguishing

Mechanical data: Dimensions: width x height x depth (mm): 88,8 x 49,3 x 55,7



Design

Basic housing colour – light grey RAL 7035

Part no.	Design	Cover colour					PU	GTIN (EAN)
080150-0-3	5L G						1	4051589015035
080150-1-3	3L G / N / PE						1	4051589015134
080150-2-3	N / 3L G / PE						1	4051589015233
080150-3-3	PE / 3L G / N						1	4051589015332
080150-4-3	PE / N / 3L G						1	4051589015431
080150-5-3	PE / 3L BSG / N						1	4051589015530

Technical data

Description: Main Line Branch Terminal 25 mm² – 5 pole (Cu)

Construction: Model C – all-side fingersafe, modular system

Item no. : 080150-x-4

Remarks: The product is compliant with the EC ROHS directives

Standards: IEC 60947-7-1, DIN VDE 0603-3-1



Nominal Voltage: 1.000 V AC / 1.000 V DC

Nominal current: Cu 152 A (2x16mm²); 101 A (1x25mm²) as per IEC 60947-7-1

Power loss: Tested by SGS Fimko Ltd (FI) (see chart 1)

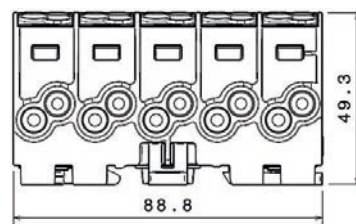
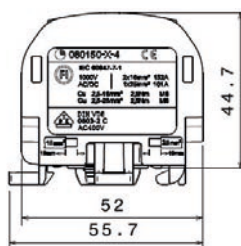
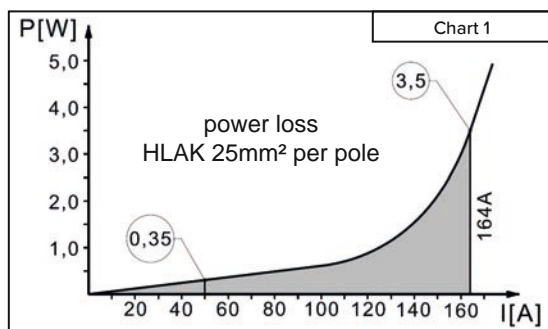
Terminal cross section:
(per pole)

	2 x 25 mm ² (round conductor)		2 x 16 mm ² (round conductor)	
	Cu		Cu	
25 mm ²	2,5 Nm	2,5 Nm	-	-
16 mm ²			-	-
10 mm ²			2,5 Nm	2,5 Nm
6 mm ²				
4 mm ²				
2,5 mm ²	-	-		
1,5 mm ²	-	-		
stripping length	19 mm		19 mm	
screw	M6 (+/- PZ2)		M6 (+/- PZ2)	

Materials: Terminal body: brass (CuZn39Pb2) bright
Housing: PA 6 (Halogen-free)
Screws: steel Zn thick-film passivated

Flame resistance: Self-extinguishing

Mechanical data: Dimensions: width x height x depth (mm): 88,8 x 49,3 x 55,7



Design

Basic housing colour – light grey RAL 7035

Part no.	Design	Cover colour	PU	GTIN (EAN)
080150-0-4	5L		1	4051589801508
080150-1-4	3L / N / PE		1	4051589801515
080150-2-4	N / 3L / PE		1	4051589801522
080150-3-4	PE / 3L / N		1	4051589801539
080150-4-4	PE / N / 3L		1	4051589801546
080150-5-4	PE / 3L "BSG" / N		1	4051589801553