

# MAIN LINE BRANCH TERMINALS (HLAK)

## HLAK 35 Type C - 1 pole



080210-0-X

### MAIN LINE

2 x 35 mm<sup>2</sup> - 4 mm<sup>2</sup> (2 - 12 AWG)  
25 mm<sup>2</sup> - 2,5 mm<sup>2</sup> (4 - 14 AWG)



### BRANCH LINE

2 x 25 mm<sup>2</sup> - 2,5 mm<sup>2</sup> (4 - 14 AWG)  
16 mm<sup>2</sup> - 1,5 mm<sup>2</sup> (6 - 16 AWG)



- > modular system
- > user-defined stackable
- > to fit on DIN rail TS 35



080210-1-X



080210-2-X



080210-3-X



080210-4-X

**AL / CU**

## For aluminium and copper conductors (Al/Cu)



NOMINAL VOLTAGE	NOMINAL CURRENT	STANDARDS
1000 V AC/DC	202 A Cu	IEC 60947-7-1
1000 V AC/DC	125 A Al	IEC 61238-1 (Class A)
600 V	125 A Cu / 100 A Al	UL-1059 / CSA C22.2 No.158-10

Model	Part No. *	Type	PU	GTIN / EAN
HLAK 35/25 for aluminium/ copper conductors	080210-0-3	HLAK 35/25 L G	5/60	4051589021036
	080210-1-3	HLAK 35/25 N	5/60	4051589021135
	080210-2-3	HLAK 35/25 PE	5/60	4051589021234
	080210-3-3	HLAK 35/25 L B	5/60	4051589021333
	080210-4-3	HLAK 35/25 L S	5/60	4051589021432

\* Other colours available on request

## For copper conductors (Cu)

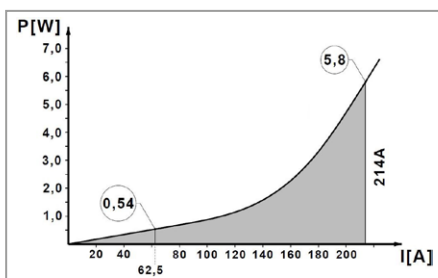


NOMINAL VOLTAGE	NOMINAL CURRENT	STANDARDS
1000 V AC/DC	202 A	IEC 60947-7-1
690 V	125 A	DIN VDE 0603-2

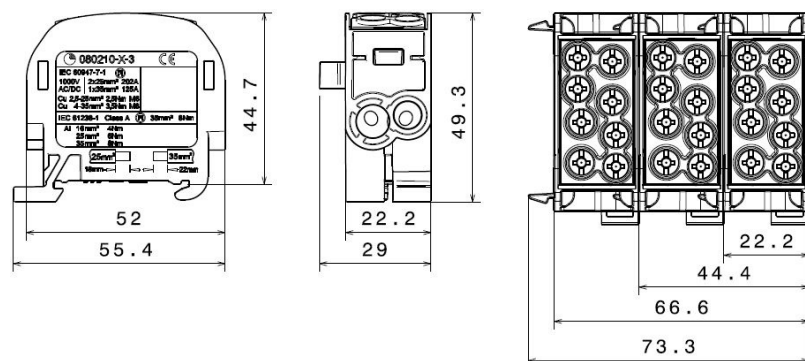
Model	Part No. *	Type	PU	GTIN / EAN
HLAK 35/25 for copper conductors	080210-0-4	HLAK 35/25 L G	5/60	4051589802109
	080210-1-4	HLAK 35/25 N	5/60	4051589802116
	080210-2-4	HLAK 35/25 PE	5/60	4051589802123
	080210-3-4	HLAK 35/25 L B	5/60	4051589802130
	080210-4-4	HLAK 35/25 L S	5/60	4051589802147

\* Other colours available on request

### Power loss HLAk 35/25



### Dimensions:



# MAIN LINE BRANCH TERMINALS (HLAK)

## HLAK 35D Type C - 1 pole



080220-0-X

### MAIN LINE

4 x 35 mm<sup>2</sup> - 4 mm<sup>2</sup>  
25 mm<sup>2</sup> - 2,5 mm<sup>2</sup>



- > modular system
- > user-defined stackable
- > to fit on DIN rail TS 35

### BRANCH LINE

4 x 25 mm<sup>2</sup> - 2,5 mm<sup>2</sup>  
16 mm<sup>2</sup> - 1,5 mm<sup>2</sup>



**AL / CU**



080220-1-X



080220-2-X



080220-3-X



080220-4-X

## For aluminium and copper conductors (Al/Cu)



### NOMINAL VOLTAGE

1000 V AC/DC  
1000 V AC/DC

### NOMINAL CURRENT

428 A Cu  
125 A Al

### STANDARDS

IEC 60947-7-1   
IEC 61238-1 (Class A)

Model	Part No. *	Type	PU	GTIN / EAN
HLAK 35/25-D for aluminium/ copper conductors	080220-0-3	HLAK 35/25-D L G	2/24	4051589022033
	080220-1-3	HLAK 35/25-D N	2/24	4051589022132
	080220-2-3	HLAK 35/25-D PE	2/24	4051589022231
	080220-3-3	HLAK 35/25-D L B	2/24	4051589022330
	080220-4-3	HLAK 35/25-D L S	2/24	4051589022439

\* Other colours available on request

## For copper conductors (Cu)



### NOMINAL VOLTAGE

1000 V AC/DC  
690 V

### NOMINAL CURRENT

428 A  
125 A

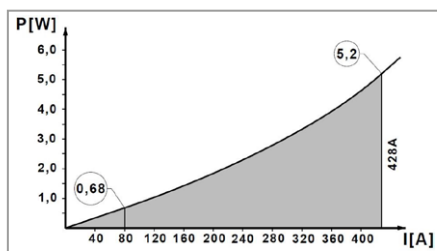
### STANDARDS

IEC 60947-7-1   
DIN VDE 0603-2

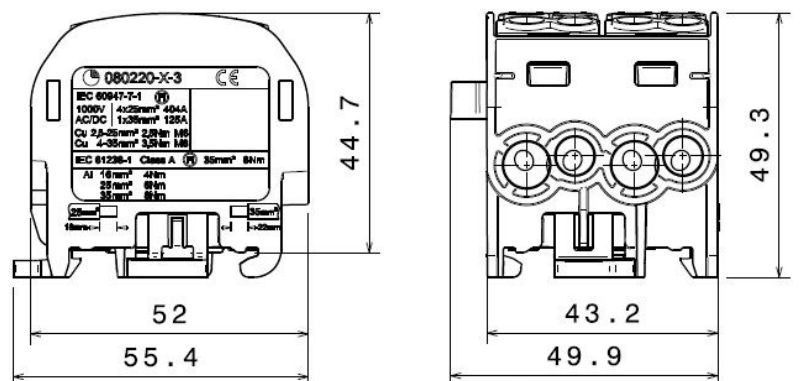
Model	Part No. *	Type	PU	GTIN / EAN
HLAK 35/25-D for copper conductors	080220-0-4	HLAK 35/25-D L G	2/24	4051589802208
	080220-1-4	HLAK 35/25-D N	2/24	4051589802215
	080220-2-4	HLAK 35/25-D PE	2/24	4051589802222
	080220-3-4	HLAK 35/25-D L B	2/24	4051589802239
	080220-4-4	HLAK 35/25-D L S	2/24	4051589802246

\* Other colours available on request

### Power loss HLAk 35/25-D



### Dimensions:



## HLAK 35 Type C - 3 pole



080230-0-X

### MAINLINE (PER POLE)

2 x 35 mm<sup>2</sup> - 4 mm<sup>2</sup>  
25 mm<sup>2</sup> - 2,5 mm<sup>2</sup>



### BRANCHLINE (PER POLE)

2 x 25 mm<sup>2</sup> - 2,5 mm<sup>2</sup>  
16 mm<sup>2</sup> - 1,5 mm<sup>2</sup>



- > modular system
- > user-defined stackable
- > to fit on DIN rail TS 35



080230-1-X



080230-5-X

**AL / CU**

## For aluminium and copper conductors (Al/Cu)



NOMINAL VOLTAGE	NOMINAL CURRENT	STANDARDS
1000 V AC/DC	202 A Cu	IEC 60947-7-1
1000 V AC/DC	125 A Al	IEC 61238-1 (Class A)

Model	Part No. *	Type	PU	GTIN / EAN
HLAK 35/25 for aluminium/ copper conductors	080230-0-3	HLAK 35/25 3L G	2/24	4051589023030
	080230-1-3	HLAK 35/25 L G/N/PE	2/24	4051589023139
	080230-5-3	HLAK 35/25 3L BSG	2/24	4051589023535

\* Other colours/colour combinations available on request

## For copper conductors (Cu)

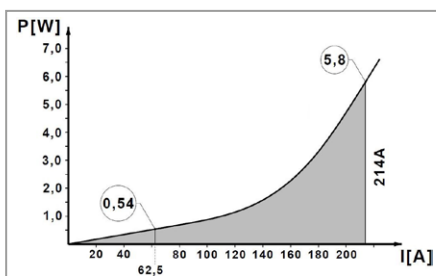


NOMINAL VOLTAGE	NOMINAL CURRENT	STANDARDS
1000 V AC/DC	202 A	IEC 60947-7-1
690 V	125 A	DIN VDE 0603-2

Model	Part No. *	Type	PU	GTIN / EAN
HLAK 35/25 for copper conductors	080230-0-4	HLAK 35/25 3L G	2/24	4051589802307
	080230-1-4	HLAK 35/25 L G/N/PE	2/24	4051589802314
	080230-5-4	HLAK 35/25 3L BSG	2/24	4051589802352

\* Other colours/colour combinations available on request

### Power loss HLAk 35/25



### Dimensions:

