

MAIN LINE BRANCH TERMINALS (HLAK)

HLAK 25 TYPE C - 1 POLE



080110-0-X

MAIN LINE

2 x 25 mm² - 2,5 mm² (4 - 14 AWG)
16 mm² - 1,5 mm² (6 - 16 AWG)



BRANCH LINE

2 x 16 mm² - 2,5 mm² (6 - 14 AWG)
10 mm² - 1,5 mm² (8 - 16 AWG)



- > modular system, module width 17,8 mm
- > user-defined stackable
- > to fit on DIN rail TS 35



AL/CU



080110-1-X



080110-2-X



080110-3-X



080110-4-X

FOR ALUMINIUM AND COPPER CONDUCTORS (AL/CU)



NOMINAL VOLTAGE	NOMINAL CURRENT	STANDARDS
1000 V AC/DC	152 A Cu	IEC 60947-7-1
1000 V AC/DC	100 A Al	IEC 61238-1 (Class A)
600 V	90 A Cu / 70 A Al	UL-1059 / CSA C22.2 No.158-10

Model	Part No. *	Type	PU	GTIN / EAN
HLAK 25/16 for aluminium/ copper conductors	080110-0-3	HLAK 25/16 L G	5/60	4051589011037
	080110-1-3	HLAK 25/16 N	5/60	4051589011136
	080110-2-3	HLAK 25/16 PE	5/60	4051589011235
	080110-3-3	HLAK 25/16 L B	5/60	4051589011334
	080110-4-3	HLAK 25/16 L S	5/60	4051589011433

* Other colours available on request

FOR COPPER CONDUCTORS (CU)

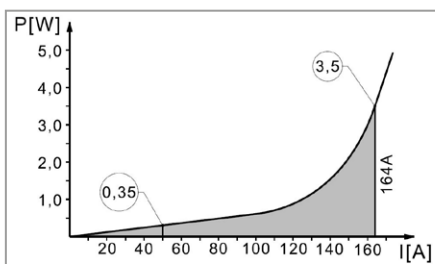


NOMINAL VOLTAGE	NOMINAL CURRENT	STANDARDS
1000 V AC/DC	152 A	IEC 60947-7-1
690 V	100 A	DIN VDE 0603-2

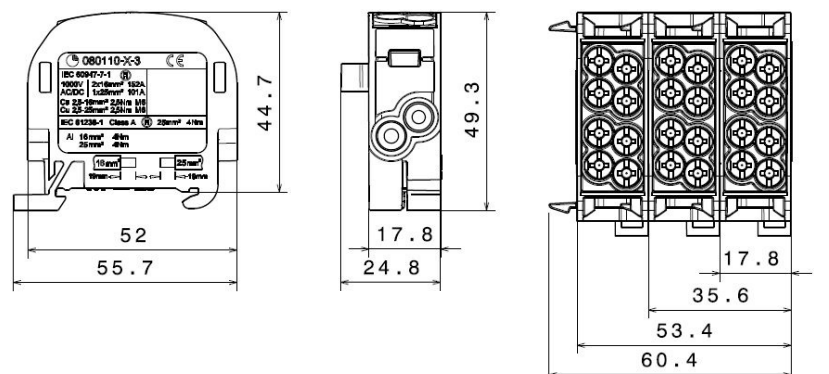
Model	Part No. *	Type	PU	GTIN / EAN
HLAK 25/16 for copper conductors	080110-0-4	HLAK 25/16 L G	5/60	4051589801102
	080110-1-4	HLAK 25/16 N	5/60	4051589801119
	080110-2-4	HLAK 25/16 PE	5/60	4051589801126
	080110-3-4	HLAK 25/16 L B	5/60	4051589801133
	080110-4-4	HLAK 25/16 L S	5/60	4051589801140

* Other colours available on request

Power loss HLAK 25/16



Dimensions:



MAIN LINE BRANCH TERMINALS (HLAK)

HLAK 25D TYPE C - 1 POLE



080120-0-X

MAIN LINE

4 x 25 mm² - 2,5 mm² (4 - 14 AWG)
16 mm² - 1,5 mm² (6 - 16 AWG)



- > modular system
- > user-defined stackable
- > to fit on DIN rail TS 35

BRANCH LINE

4 x 16 mm² - 2,5 mm² (6 - 14 AWG)
10 mm² - 1,5 mm² (8 - 16 AWG)



AL / CU



080120-1-X



080120-2-X



080120-3-X



080120-4-X

FOR ALUMINIUM AND COPPER CONDUCTORS (AL/CU)



NOMINAL VOLTAGE

1000 V AC/DC
1000 V AC/DC
600 V

NOMINAL CURRENT

152 A Cu
100 A Al
90 A Cu / 70 A Al

STANDARDS

IEC 60947-7-1
IEC 61238-1 (Class A)
UL-1059 / CSA C22.2 No.158-10

Model	Part No. *	Type	PU	GTIN / EAN
HLAK 25/16-D for aluminium/ copper conductors	080120-0-3	HLAK 25/16-D L G	2/36	4051589012034
	080120-1-3	HLAK 25/16-D N	2/36	4051589012133
	080120-2-3	HLAK 25/16-D PE	2/36	4051589012232
	080120-3-3	HLAK 25/16-D L B	2/36	4051589012331
	080120-4-3	HLAK 25/16-D S	2/36	4051589012430

* Other colours available on request

FOR COPPER CONDUCTORS (CU)



NOMINAL VOLTAGE

1000 V AC/DC
690 V

NOMINAL CURRENT

152 A
100 A

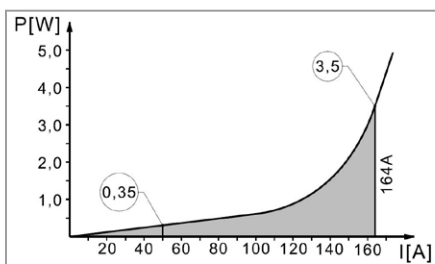
STANDARDS

IEC 60947-7-1
DIN VDE 0603-2

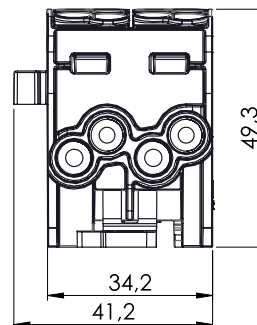
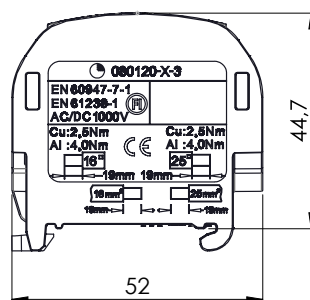
Model	Part No. *	Type	PU	GTIN / EAN
HLAK 25/16-D for copper conductors	080120-0-4	HLAK 25/16-D L G	2/36	4051589801201
	080120-1-4	HLAK 25/16-D N	2/36	4051589801218
	080120-2-4	HLAK 25/16-D PE	2/36	4051589801225
	080120-3-4	HLAK 25/16-D L B	2/36	4051589801232
	080120-4-4	HLAK 25/16-D L S	2/36	4051589801249

* Other colours available on request

Power loss HLAK 25/16-D



Dimensions:



MAIN LINE BRANCH TERMINALS (HLAK)

HLAK 25 3/2 Type C - 3 pole



080130-0-X

MAINLINE (PER POLE)

2 x 25 mm² - 2,5 mm² (4 - 14 AWG)
16 mm² - 1,5 mm² (6 - 16 AWG)



- > modular system, module width 17,8 mm
- > user-defined stackable
- > to fit on DIN rail TS 35

BRANCHLINE (PER POLE)

2 x 16 mm² - 2,5 mm² (6 - 14 AWG)
10 mm² - 1,5 mm² (8 - 16 AWG)



AL / CU



080130-1-X



080130-5-X

For aluminium and copper conductors (Al/Cu)



NOMINAL VOLTAGE

1000 V AC/DC
1000 V AC/DC
600 V

NOMINAL CURRENT

152 A Cu
100 A Al
90 A Cu / 70 A Al

STANDARDS

IEC 60947-7-1
IEC 61238-1 (Class A)
UL-1059 / CSA C22.2 No.158-10

Model	Part No. *	Type	PU	GTIN / EAN
HLAK 25/16 for aluminium/ copper conductors	080130-0-3	HLAK 25/16 3/2 3L G	2/24	4051589013031
	080130-1-3	HLAK 25/16 3/2 L G/N/PE	2/24	4051589013130
	080130-5-3	HLAK 25/16 3/2 3L BSG	2/24	4051589013536

* Other colours/colour combinations available on request

For copper conductors (Cu)



NOMINAL VOLTAGE

1000 V AC/DC
690 V

NOMINAL CURRENT

152 A
100 A

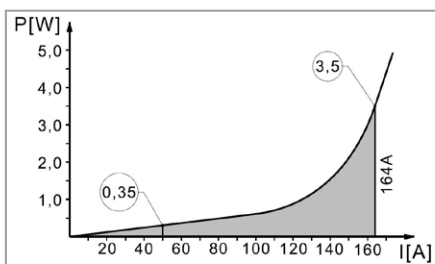
STANDARDS

IEC 60947-7-1
DIN VDE 0603-2

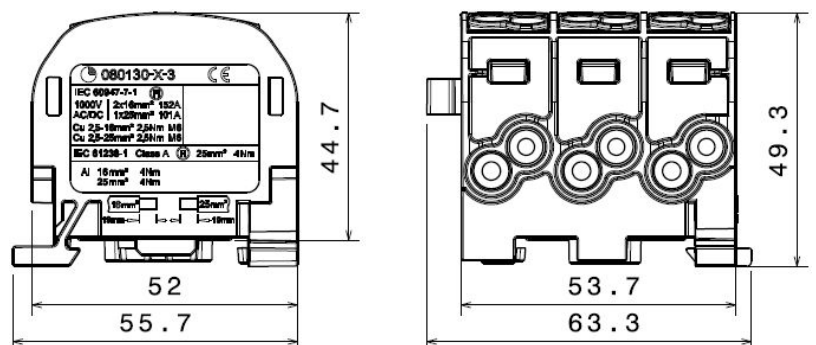
Model	Part No. *	Type	PU	GTIN / EAN
HLAK 25/16 for copper conductors	080130-0-4	HLAK 25/16 3/2 3L G	2/24	4051589801300
	080130-1-4	HLAK 25/16 3/2 L G/N/PE	2/24	4051589801317
	080130-5-4	HLAK 25/16 3/2 3L BSG	2/24	4051589801355

* Other colours/colour combinations available on request

Power loss HLAk 25/16



Dimensions:



MAIN LINE BRANCH TERMINALS (HLAK)

HLAK 25 Type C - 5 pole



080150-0-X

MAINLINE (PER POLE)

2 x 25 mm² - 2,5 mm²
16 mm² - 1,5 mm²



BRANCHLINE (PER POLE)

2 x 16 mm² - 2,5 mm²
10 mm² - 1,5 mm²



- > modular system, module width 17,8 mm
- > user-defined stackable
- > to fit on DIN rail TS 35



AL / CU



080150-3-X



080150-5-X

For aluminium and copper conductors (Al/Cu)



NOMINAL VOLTAGE

1000 V AC/DC
1000 V AC/DC

NOMINAL CURRENT

152 A Cu
100 A Al

STANDARDS

IEC 60947-7-1
IEC 61238-1 (Class A)



Model	Part No. *	Type	PU	GTIN / EAN
HLAK 25/16 for aluminium/ copper conductors	080150-0-3	HLAK 25/16 5L G	1/12	4051589015035
	080150-1-3	HLAK 25/16 3L G/N/PE	1/12	4051589015134
	080150-3-3	HLAK 25/16 PE/3L G/N	1/12	4051589015332
	080150-5-3	HLAK 25/16 PE/3L BSG/N	1/12	4051589015530

* Other colours/colour combinations available on request

For copper conductors (Cu)



NOMINAL VOLTAGE

1000 V AC/DC
690 V

NOMINAL CURRENT

152 A
100 A

STANDARDS

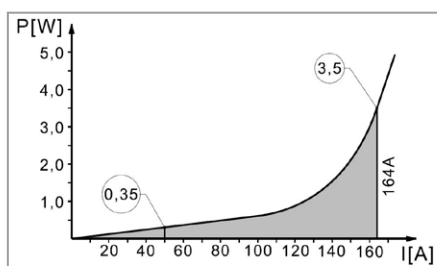
IEC 60947-7-1
DIN VDE 0603-2



Model	Part No. *	Type	PU	GTIN / EAN
HLAK 25/16 for copper conductors	080150-0-4	HLAK 25/16 5L G	1/12	4051589801508
	080150-1-4	HLAK 25/16 3L G/N/PE	1/12	4051589801515
	080150-3-4	HLAK 25/16 PE/3L G/N	1/12	4051589801539
	080150-5-4	HLAK 25/16 PE/3L BSG/N	1/12	4051589801553

* Other colours/colour combinations available on request

Power loss HLAk 25/16



Dimensions:

