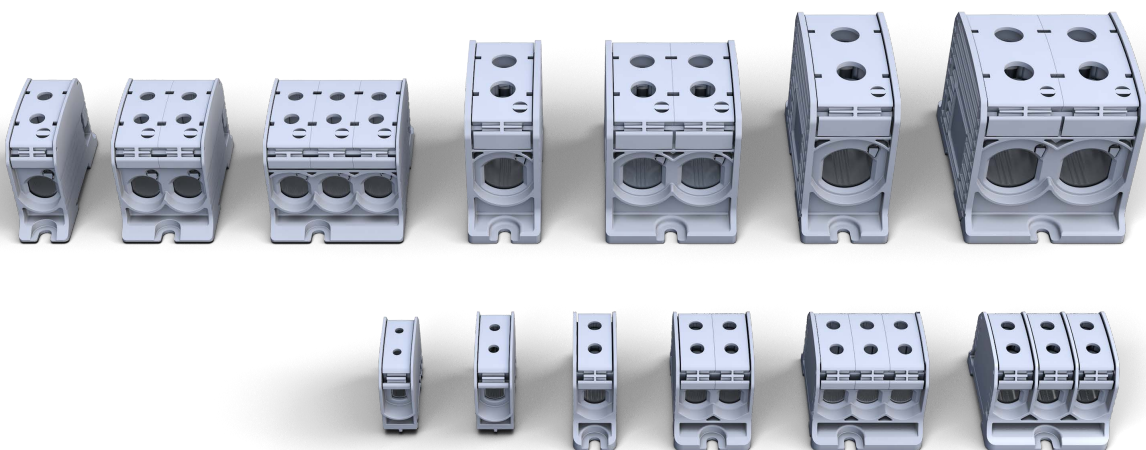




Technical data sheets

RKA-series



Technical data

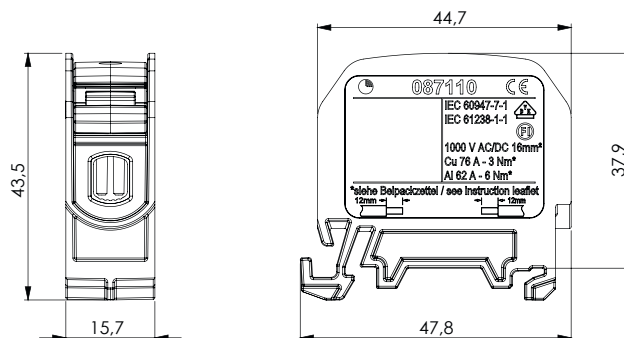
| | |
|---------------|-----------------------|
| Description: | Terminal block RKA 16 |
| Construction: | Fingersafe IP 20 |
| Item no. : | 087110 |

| | |
|----------------------------|--|
| Remarks: | The product is compliant with the EC ROHS directives |
| Standards: | IEC 60947-7-1, IEC 61238-1-1 |
| Nominal Voltage: | 1.000 V AC / 1.000 V DC |
| Nominal current: | Cu 76 A, Al 62 A |
| Rated cross-section: | 16 mm ² |
| Impulse withstand voltage: | 8 kV |
| Pollution degree: | 3 |
| Surge voltage category: | III |
| CTI value: | 550 |

| | | | |
|-------------------------|--|---------------|------|
| Terminal cross section: | no. of connections: 2 x 16 mm ² (all conductor types) | | |
| | IEC 60947-7-1 | IEC 61238-1-1 | |
| | Cu | Al | |
| 16 mm ² | | | 6 Nm |
| 10 mm ² | - | - | - |
| 6 mm ² | 3 Nm | 3 Nm | - |
| 4 mm ² | | | |
| 2,5 mm ² | | | |
| 1,5 mm ² | - | - | - |
| 1 mm ² | - | - | - |
| stripping length | 12 mm | | |
| allen screw | M6 (SW 3 mm) | | |

| | | |
|------------|------------------------------|-------------|
| Materials: | Terminal body: Aluminium | tin plated |
| | Housing: PA 6 (Halogen-free) | |
| | Screws: Steel | zinc plated |


| | |
|-------------------|---|
| Flame resistance: | Self-extinguishing |
| Mechanical data: | Dimensions: width x height x depth (mm): 15,7 x 43,5 x 47,8 |








| Design | | | | |
|--|--------|-----------------------|---------|---------------|
| Basic housing colour – light grey RAL 7035 | | | | |
| Part no. | Design | Cover colour | PU | GTIN (EAN) |
| 087110-0-3 | L G | light grey RAL 7035 | 9 / 162 | 4051589871105 |
| 087110-1-3 | N | light blue RAL 5012 | 9 / 162 | 4051589871112 |
| 087110-2-3 | PE | yellow-green RAL 6018 | 9 / 162 | 4051589871129 |
| 087110-3-3 | LB | clay brown RAL 8003 | 9 / 162 | 4051589871136 |
| 087110-4-3 | LS | jet black RAL 9005 | 9 / 162 | 4051589871143 |

Technical data

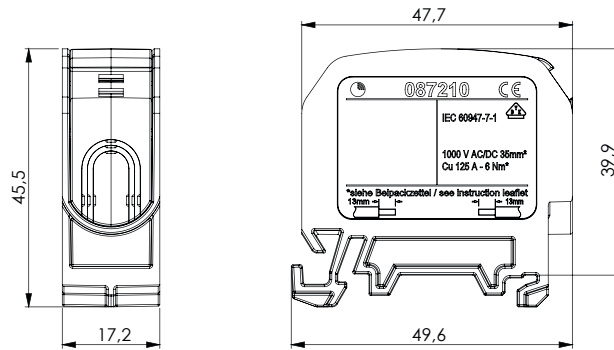
| | |
|---------------|-----------------------|
| Description: | Terminal block RKA 35 |
| Construction: | Fingersafe IP 20 |
| Item no. : | 087210 |

| | |
|----------------------------|---|
| Remarks: | The product is compliant with the EC ROHS directives |
| Standards: | IEC 60947-7-1 CE  |
| Nominal Voltage: | 1.000 V AC / 1.000 V DC |
| Nominal current: | Cu 125 A |
| Rated cross-section: | 35 mm ² |
| Impulse withstand voltage: | 8 kV |
| Pollution degree: | 3 |
| Surge voltage category: | III |
| CTI value: | 550 |
| Terminal cross section: | |

| | | |
|---|---|------|
| no. of connections: 2 x 35 mm ² (all conductor types) | IEC 60947-7-1 | |
| | Cu | |
|  |  | |
| 35 mm ² | | |
| 25 mm ² | | |
| 16 mm ² | | |
| 10 mm ² | 6 Nm | 6 Nm |
| 6 mm ² | | |
| 4 mm ² | | |
| 2,5 mm ² | - | |
| stripping length | 13 mm | |
| allen screw | M8 (SW 4 mm) | |

 solid  compact stranded  fine stranded with ferrule

| | | |
|-------------------|--|--------------------|
| Materials: | Terminal body: Aluminium | tin plated |
| | Housing: PA 6 (Halogen-free) | |
| | Screws: Steel | zinc plated |
| Flame resistance: | Self-extinguishing | |
| Mechanical data: | Dimensions: width x height x depth (mm): | 17,2 x 45,5 x 49,6 |



Design

Basic housing colour – light grey RAL 7035

| Part no. | Design | Cover colour | PU | GTIN (EAN) |
|------------|--------|-----------------------|---------|---------------|
| 087210-0-3 | L G | light grey RAL 7035 | 8 / 144 | 4051589010290 |
| 087210-1-3 | N | light blue RAL 5012 | 8 / 144 | 4051589010306 |
| 087210-2-3 | PE | yellow-green RAL 6018 | 8 / 144 | 4051589010313 |
| 087210-3-3 | LB | clay brown RAL 8003 | 8 / 144 | 4051589010320 |
| 087210-4-3 | L S | jet black RAL 9005 | 8 / 144 | 4051589010337 |

Technical data

| | |
|---------------|-----------------------|
| Description: | Terminal block RKA 50 |
| Construction: | Fingersafe IP 20 |
| Item no. : | 087310 |

Remarks: The product is compliant with the EC ROHS directives

Standards: IEC 60947-7-1, IEC 61238-1 UL 1059, CSA-C22.2 No. 158

CE, RoHS, FI, CULUS

Nominal Voltage: 1.000 V AC / 1.000 V DC 1.000 V AC

Nominal current: Cu 150 A, Al 150 A Cu 150 A, Al 120 A







Rated cross-section: 50 mm² AWG 1/0

Impulse withstand voltage: 8 kV

Pollution degree: 3

Surge voltage category: III

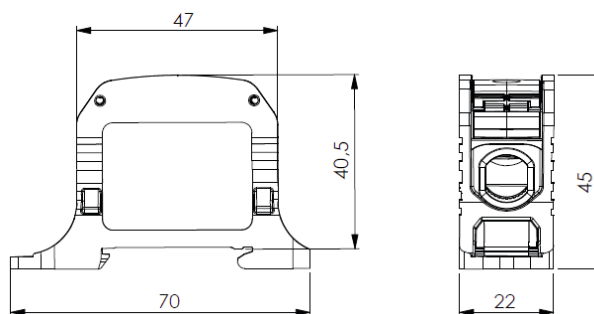
CTI value: 550 550

| Terminal cross section: | no. of connections: 2 x 50 mm ² (all conductor types) | | | no. of connections: 2 x AWG 1/0 (all conductor types) | | |
|-------------------------|---|---|---|---|---|---|
| | IEC 60947-7-1 | | IEC 61238-1 | UL 1059, CSA-C22.2 No. 158 | | |
| | Cu | | Al | Cu | | Al |
| 50 mm ² |  |  |  |  |  |  |
| 35 mm ² | 10 Nm | 10 Nm | 14 Nm | 10 Nm | 10 Nm | 14 Nm |
| 25 mm ² | 8 Nm | 8 Nm | 12 Nm | 8 Nm | 8 Nm | 12 Nm |
| 16 mm ² | 6 Nm | 6 Nm | - | 6 Nm | 6 Nm | - |
| 10 mm ² | - | - | - | - | - | - |
| 6 mm ² | - | - | - | - | - | - |
| 4 mm ² | - | - | - | - | - | - |
| stripping length | 16 mm | | | 16 mm | | |
| allen screw | M10 (SW 5 mm) | | | M10 (SW 5 mm) | | |

Materials: Terminal body: Aluminium tin plated
Housing: PA 6 (Halogen-free)
Screws: Steel zinc plated

Flame resistance: Self-extinguishing

Mechanical data: Dimensions: width x height x depth (mm): 22 x 45 x 70



Design

Basic housing colour – light grey RAL 7035

| Part no. | Design | Cover colour | PU | GTIN (EAN) |
|------------|--------|-----------------------|--------|---------------|
| 087310-0-3 | L G | light grey RAL 7035 | 9 / 72 | 4051589873109 |
| 087310-1-3 | N | light blue RAL 5012 | 9 / 72 | 4051589873116 |
| 087310-2-3 | PE | yellow-green RAL 6018 | 9 / 72 | 4051589873123 |
| 087310-3-3 | LB | clay brown RAL 8003 | 9 / 72 | 4051589873130 |
| 087310-4-3 | L S | jet black RAL 9005 | 9 / 72 | 4051589873147 |

Technical data

| | |
|---------------|-------------------------|
| Description: | Terminal block RKA 50 D |
| Construction: | Fingersafe IP 20 |
| Item no. : | 087320 |

Remarks: The product is compliant with the EC ROHS directives

Standards: IEC 60947-7-1, IEC 61238-1 UL 1059, CSA-C22.2 No. 158

CE    us

Nominal Voltage: 1.000 V AC / 1.000 V DC 1.000 V AC

Nominal current: Cu 150 A, Al 150 A Cu 150 A, Al 120 A

Rated cross-section: 50 mm² AWG 1/0

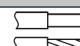

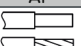



Impulse withstand voltage: 8 kV



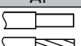
Pollution degree: 3

Surge voltage category: III

CTI value: 550 550

Terminal cross section: no. of connections: 4 x 50 mm² (all conductor types) no. of connections: 4 x AWG 1/0 (all conductor types)

| | IEC 60947-7-1 | | | IEC 61238-1 | | |
|--------------------|---|---|---|--|---|---|
| | Cu | | Al | | | |
| |  |  |  |  |  |  |
| 50 mm ² | - | - | - | - | - | - |
| 35 mm ² | 10 Nm | 10 Nm | 14 Nm | | | |
| 25 mm ² | 8 Nm | 8 Nm | 12 Nm | | | |
| 16 mm ² | | | 10 Nm | | | |
| 10 mm ² | 6 Nm | 6 Nm | - | | | |
| 6 mm ² | - | - | - | | | |
| 4 mm ² | - | - | - | | | |
| stripping length | 16 mm | | | | | |
| allen screw | M10 (SW 5 mm) | | | | | |

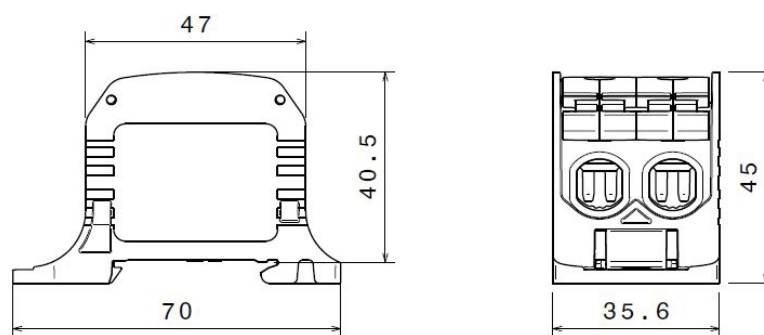
| | UL 1059, CSA-C22.2 No. 158 | | |
|------------------|---|---|---|
| | Cu | | Al |
| |  |  |  |
| AWG 1/0 | - | - | - |
| AWG 2 | 10 Nm | 10 Nm | 14 Nm |
| AWG 4 | 8 Nm | 8 Nm | 12 Nm |
| AWG 6 | | | 10 Nm |
| AWG 8 | 6 Nm | 6 Nm | - |
| AWG 10 | - | - | - |
| AWG 12 | - | - | - |
| stripping length | 16 mm | | |
| allen screw | M10 (SW 5 mm) | | |

 solid  compact stranded  fine stranded with ferrule

Materials: Terminal body: Aluminium tin plated
Housing: PA 6 (Halogen-free)
Screws: Steel zinc plated

Flame resistance: Self-extinguishing

Mechanical data: Dimensions: width x height x depth (mm): 35,6 x 45 x 70



Design

Basic housing colour – light grey RAL 7035





| Part no. | Design | Cover colour | PU | GTIN (EAN) |
|------------|--------|-----------------------|------|---------------|
| 087320-0-3 | L G | light grey RAL 7035 | 5/40 | 4051589873208 |
| 087320-1-3 | N | light blue RAL 5012 | 5/40 | 4051589873215 |
| 087320-2-3 | PE | yellow-green RAL 6018 | 5/40 | 4051589873222 |
| 087320-3-3 | LB | clay brown RAL 8003 | 5/40 | 4051589873239 |
| 087320-4-3 | LS | jet black RAL 9005 | 5/40 | 4051589873246 |

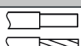
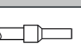
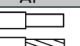


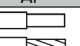
Technical data

| | |
|---------------|---------------------------|
| Description: | Terminal block RKA 50 1/6 |
| Construction: | Fingersafe IP 20 |
| Item no. : | 087360 |

16.03.2022

| | | |
|------------|--|----------------------------|
| Remarks: | The product is compliant with the EC ROHS directives | |
| Standards: | IEC 60947-7-1, IEC 61238-1 | UL 1059, CSA-C22.2 No. 158 |

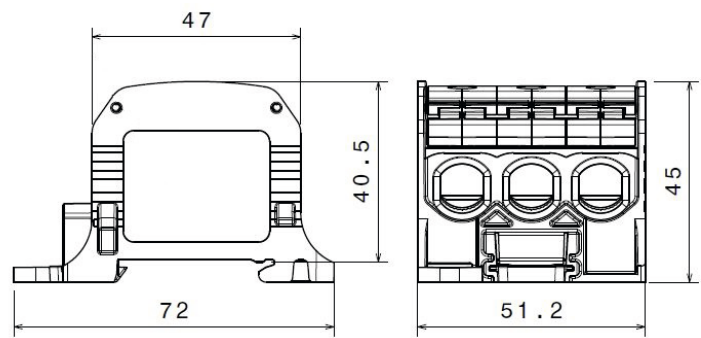
| | | |
|----------------------------|---|--|
| |    |  |
| Nominal Voltage: | 1.000 V AC / 1.000 V DC | 1.000 V AC |
| Nominal current: | Cu 150 A, Al 150 A | Cu 150 A, Al 120 A |
| Rated cross-section: | 50 mm ² | AWG 1/0 |
| Impulse withstand voltage: | 8 kV | |
| Pollution degree: | 3 | |
| Surge voltage category: | III | |
| CTI value: | 550 | 550 |

| Terminal cross section: | no. of connections: 6 x 50 mm ² (all conductor types) | | | no. of connections: 6 x AWG 1/0 (all conductor types) | | |
|-------------------------|---|---|---|---|---|---|
| | IEC 60947-7-1 | | IEC 61238-1 | UL 1059, CSA-C22.2 No. 158 | | |
| | Cu | | Al | Cu | | Al |
| 50 mm ² |  |  |  |  |  |  |
| 35 mm ² | 10 Nm | - | 10 Nm | 10 Nm | - | 14 Nm |
| 25 mm ² | 8 Nm | 8 Nm | 8 Nm | 8 Nm | 8 Nm | 12 Nm |
| 16 mm ² | 6 Nm | 6 Nm | 6 Nm | 6 Nm | 6 Nm | 10 Nm |
| 10 mm ² | - | - | - | - | - | - |
| 6 mm ² | - | - | - | - | - | - |
| 4 mm ² | - | - | - | - | - | - |
| stripping length | 16 mm | | | 16 mm | | |
| allen screw | M10 (SW 5 mm) | | | M10 (SW 5 mm) | | |

| | | |
|------------|------------------------------|-------------|
| Materials: | Terminal body: Aluminium | tin plated |
| | Housing: PA 6 (Halogen-free) | |
| | Screws: Steel | zinc plated |

| | |
|-------------------|--------------------|
| Flame resistance: | Self-extinguishing |
|-------------------|--------------------|

| | | |
|------------------|--|----------------|
| Mechanical data: | Dimensions: width x height x depth (mm): | 51,2 x 45 x 72 |
|------------------|--|----------------|


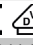




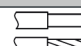

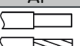


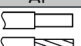
| Design | | | | |
|--|--------|-----------------------|------|---------------|
| Basic housing colour – light grey RAL 7035 | | | | |
| Part no. | Design | Cover colour | PU | GTIN (EAN) |
| 087360-0-3 | L G | light grey RAL 7035 | 3/24 | 4051589873604 |
| 087360-1-3 | N | light blue RAL 5012 | 3/24 | 4051589873611 |
| 087360-2-3 | PE | yellow-green RAL 6018 | 3/24 | 4051589873628 |
| 087360-3-3 | LB | clay brown RAL 8003 | 3/24 | 4051589873635 |
| 087360-4-3 | LS | jet black RAL 9005 | 3/24 | 4051589873642 |

Technical data

| | |
|---------------|--------------------------------|
| Description: | Terminal block RKA 50 - 3 pole |
| Construction: | Fingersafe IP 20 |
| Item no. : | 087330 |

| | | |
|------------|--|----------------------------|
| Remarks: | The product is compliant with the EC ROHS directives | |
| Standards: | IEC 60947-7-1, IEC 61238-1 | UL 1059, CSA-C22.2 No. 158 |

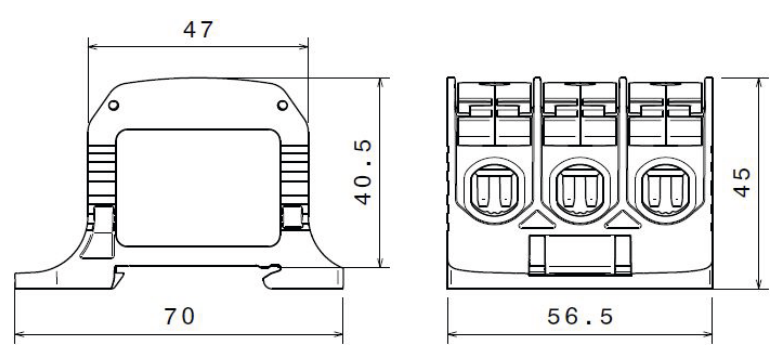
| | | |
|----------------------------|---|--|
| |    |  |
| Nominal Voltage: | 1.000 V AC / 1.000 V DC | 1.000 V AC |
| Nominal current: | Cu 150 A, Al 150 A | Cu 150 A, Al 120 A |
| Rated cross-section: | 50 mm ² | AWG 1/0 |
| Impulse withstand voltage: | 8 kV | |
| Pollution degree: | 3 | |
| Surge voltage category: | III | |
| CTI value: | 550 | 550 |


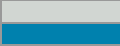
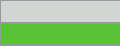

| Terminal cross section: | no. of connections: 2 x 50 mm ² (all conductor types) per pole | | | no. of connections: 2 x AWG 1/0 (all conductor types) per pole | | |
|-------------------------|---|---|---|---|---|---|
| | IEC 60947-7-1 | | IEC 61238-1 | UL 1059, CSA-C22.2 No. 158 | | |
| | Cu | | Al | Cu | | |
| |  |  |  |  |  |  |
| 50 mm ² | - | - | - | - | - | - |
| 35 mm ² | 10 Nm | 10 Nm | 14 Nm | 10 Nm | 10 Nm | 14 Nm |
| 25 mm ² | 8 Nm | 8 Nm | 12 Nm | 8 Nm | 8 Nm | 12 Nm |
| 16 mm ² | - | - | 10 Nm | - | - | 10 Nm |
| 10 mm ² | 6 Nm | 6 Nm | - | 6 Nm | 6 Nm | - |
| 6 mm ² | - | - | - | - | - | - |
| 4 mm ² | - | - | - | - | - | - |
| stripping length | 16 mm | | | 16 mm | | |
| allen screw | M10 (SW 5 mm) | | | M10 (SW 5 mm) | | |

| | | |
|------------|------------------------------|-------------|
| Materials: | Terminal body: Aluminium | tin plated |
| | Housing: PA 6 (Halogen-free) | |
| | Screws: Steel | zinc plated |

| | |
|-------------------|--------------------|
| Flame resistance: | Self-extinguishing |
|-------------------|--------------------|



| | | |
|------------------|--|----------------|
| Mechanical data: | Dimensions: width x height x depth (mm): | 56,5 x 45 x 70 |
|------------------|--|----------------|

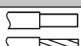





| Design | | | | |
|--|------------|--|--------|---------------|
| Basic housing colour – light grey RAL 7035 | | | | |
| Part no. | Design | Cover colour | PU | GTIN (EAN) |
| 087330-0-3 | 3L |  | 3 / 24 | 4051589873307 |
| 087330-1-3 | L / N / PE |  | 3 / 24 | 4051589873314 |
| 087330-2-3 | PE / L / N |  | 3 / 24 | 4051589873321 |
| 087330-5-3 | 3L BSG |  | 3 / 24 | 4051589873352 |

Technical data

| | |
|---------------|-----------------------|
| Description: | Terminal block RKA 95 |
| Construction: | Fingersafe IP 20 |
| Item no. : | 087510 |

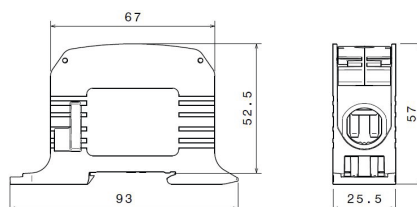
| | | |
|----------------------------|---|--|
| Remarks: | The product is compliant with the EC ROHS directives | |
| Standards: | IEC 60947-7-1, IEC 61238-1 | UL 1059, CSA-C22.2 No. 158 |
| |  |  |
| Nominal Voltage: | 1.000 V AC / 1.000 V DC | 1.000 V AC |
| Nominal current: | Cu 232 A, Al 200 A | Cu 200 A, Al 155 A |
| Rated cross-section: | 95 mm ² | AWG 3/0 |
| Impulse withstand voltage: | 8 kV | |
| Pollution degree: | 3 | |
| Surge voltage category: | III | |
| CTI value: | 550 | 550 |

| | | | | | | |
|-------------------------|--|---|---|---|---|----------------------------|
| Terminal cross section: | no. of connections: 2 x 95 mm ² (all conductor types) | | | no. of connections: 2 x AWG 3/0 (all conductor types) | | |
| | | IEC 60947-7-1 | | IEC 61238-1 | | UL 1059, CSA-C22.2 No. 158 |
| | | Cu | Al | Cu | Al | |
| | 95 mm ² |  |  |  |  | |
| | 70 mm ² | 19 Nm | - | - | - | |
| | 50 mm ² | - | 19 Nm | 22,6 Nm | 22,6 Nm | |
| | 35 mm ² | - | - | - | - | |
| | 25 mm ² | 14 Nm | - | 22,6 Nm | 22,6 Nm | |
| | 16 mm ² | - | 14 Nm | - | - | |
| | 10 mm ² | - | - | - | - | |
| | stripping length | 26 mm | | 26 mm | | |
| | allen screw | M14 (SW 6 mm) | | M14 (SW 6 mm) | | |

| | | | | | | |
|-------------------------|--|--------------|--------|---|--------|---|
| Measurement connection: | no. of connections: 1 x 10 mm ² (all conductor types) | | | no. of connections: 1 x AWG 8 (all conductor types) | | |
| | | | | | | |
| | 10 mm ² | - | - | AWG 8 | - | - |
| | 6 mm ² | 1,2 Nm | - | AWG 10 | 2,3 Nm | - |
| | 4 mm ² | - | 1,2 Nm | AWG 12 | - | - |
| | 2,5 mm ² | - | - | AWG 14 | 2,3 Nm | - |
| | 1,5 mm ² | - | - | AWG 16 | - | - |
| | stripping length | 10 mm | | 10 mm | | |
| | screw | M4 (+/- PZ2) | | M4 (+/- PZ2) | | |

| | | | |
|------------|---|--|--|
| |  solid |  compact stranded |  fine stranded with ferrule |
| Materials: | Terminal body: Aluminium | tin plated | |
| | Housing: PA 6 (Halogen-free) | | |
| | Screws: Steel | zinc plated | |

| | |
|-------------------|---|
| Flame resistance: | Self-extinguishing |
| Mechanical data: | Dimensions: width x height x depth (mm): 25,5 x 57 x 93 |



| Design | | | | |
|--|--------|-----------------------|--------|---------------|
| Basic housing colour – light grey RAL 7035 | | | | |
| Part no. | Design | Cover colour | PU | GTIN (EAN) |
| 087510-0-3 | L G | light grey RAL 7035 | 2 / 36 | 4051589875103 |
| 087510-1-3 | N | light blue RAL 5012 | 2 / 36 | 4051589875110 |
| 087510-2-3 | PE | yellow-green RAL 6018 | 2 / 36 | 4051589875127 |
| 087510-3-3 | LB | clay brown RAL 8003 | 2 / 36 | 4051589875134 |
| 087510-4-3 | LS | jet black RAL 9005 | 2 / 36 | 4051589875141 |

Technical data

| | |
|---------------|-------------------------|
| Description: | Terminal block RKA 95 D |
| Construction: | Fingersafe IP 20 |
| Item no. : | 087520 |

Remarks: The product is compliant with the EC ROHS directives

Standards: IEC 60947-7-1, IEC 61238-1 UL 1059, CSA-C22.2 No. 158



Nominal Voltage: 1.000 V AC / 1.000 V DC 1.000 V AC

Nominal current: Cu 232 A Cu 200 A, Al 155 A

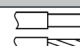

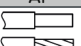


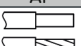
Rated cross-section: 95 mm² AWG 3/0

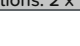
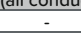
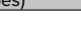
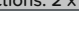
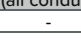
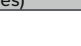
Impulse withstand voltage: 8 kV

Pollution degree: 3

Surge voltage category: III

CTI value: 550 550

| Terminal cross section: | no. of connections: 4 x 95 mm ² (all conductor types) | | | no. of connections: 4 x AWG 3/0 (all conductor types) | | |
|-------------------------|---|---|---|---|---|---|
| | IEC 60947-7-1 | | IEC 61238-1 | UL 1059, CSA-C22.2 No. 158 | | |
| | Cu | | Al | Cu | | Al |
| 95 mm ² |  |  |  |  |  |  |
| 70 mm ² | 19 Nm | - | - | 22,6 Nm | - | 22,6 Nm |
| 50 mm ² | - | 19 Nm | - | - | 22,6 Nm | - |
| 35 mm ² | - | - | 22,6 Nm | - | - | - |
| 25 mm ² | 14 Nm | - | - | - | - | - |
| 16 mm ² | - | 14 Nm | - | - | - | - |
| 10 mm ² | - | - | - | - | - | - |
| stripping length | 26 mm | | | 26 mm | | |
| allen screw | M14 (SW 6 mm) | | | M14 (SW 6 mm) | | |

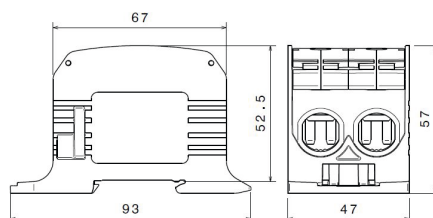
| Measurement connection: | no. of connections: 2 x 10 mm ² (all conductor types) | | | no. of connections: 2 x AWG 8 (all conductor types) | | |
|-------------------------|---|---|---|---|---|---|
| | IEC 60947-7-1 | | IEC 61238-1 | UL 1059, CSA-C22.2 No. 158 | | |
| | Cu | | Al | Cu | | Al |
| 10 mm ² |  |  |  |  |  |  |
| 6 mm ² | 1,2 Nm | - | - | 2,3 Nm | - | - |
| 4 mm ² | - | 1,2 Nm | - | - | 2,3 Nm | - |
| 2,5 mm ² | - | - | - | - | - | - |
| 1,5 mm ² | - | - | - | - | - | - |
| stripping length | 10 mm | | | 10 mm | | |
| screw | M4 (+/- PZ2) | | | M4 (+/- PZ2) | | |

 solid  compact stranded  fine stranded with ferrule

Materials: Terminal body: Aluminium tin plated
Housing: PA 6 (Halogen-free)
Screws: Steel zinc plated

Flame resistance: Self-extinguishing

Mechanical data: Dimensions: width x height x depth (mm): 47 x 57 x 93



Design

Basic housing colour – light grey RAL 7035

| Part no. | Design | Cover colour | PU | GTIN (EAN) |
|------------|--------|-----------------------|--------|---------------|
| 087520-0-3 | L G | light grey RAL 7035 | 1 / 18 | 4051589875202 |
| 087520-1-3 | N | light blue RAL 5012 | 1 / 18 | 4051589875219 |
| 087520-2-3 | PE | yellow-green RAL 6018 | 1 / 18 | 4051589875226 |
| 087520-3-3 | LB | clay brown RAL 8003 | 1 / 18 | 4051589875233 |
| 087520-4-3 | LS | jet black RAL 9005 | 1 / 18 | 4051589875240 |

Technical data

| | |
|---------------|---------------------------|
| Description: | Terminal block RKA 95 1/6 |
| Construction: | Fingersafe IP 20 |
| Item no. : | 087560 |

Remarks: The product is compliant with the EC ROHS directives

Standards: IEC 60947-7-1, IEC 61238-1 UL 1059, CSA-C22.2 No. 158

CE, RoHS, FI, cULus

Nominal Voltage: 1.000 V AC / 1.000 V DC 1.000 V AC

Nominal current: Cu 232 A, Al 200 A Cu 200 A, Al 155 A

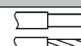

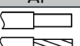


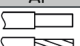
Rated cross-section: 95 mm² AWG 3/0

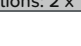
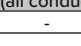
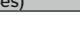
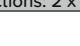
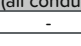
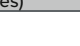
Impulse withstand voltage: 8 kV

Pollution degree: 3

Surge voltage category: III

CTI value: 550 550

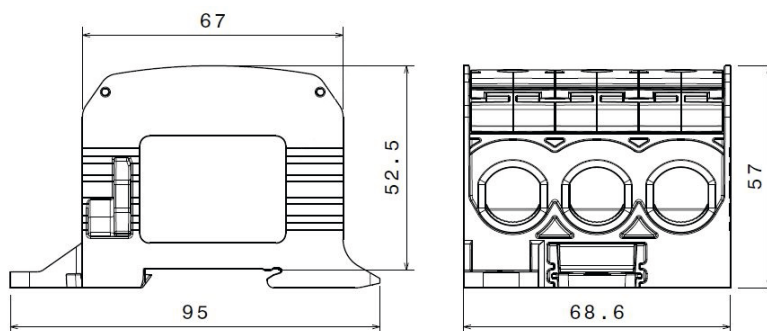
| Terminal cross section: | no. of connections: 6 x 95 mm ² (all conductor types) | | | no. of connections: 6 x AWG 3/0 (all conductor types) | | |
|-------------------------|---|---|---|---|---|---|
| | IEC 60947-7-1 | | IEC 61238-1 | UL 1059, CSA-C22.2 No. 158 | | |
| | Cu | | Al | Cu Al | | |
| 95 mm ² |  |  |  |  |  |  |
| 70 mm ² | 19 Nm | - | - | - | - | - |
| 50 mm ² | - | 19 Nm | 22,6 Nm | 22,6 Nm | 22,6 Nm | 22,6 Nm |
| 35 mm ² | - | - | - | - | - | - |
| 25 mm ² | 14 Nm | - | - | - | - | - |
| 16 mm ² | - | 14 Nm | - | - | - | - |
| 10 mm ² | - | - | - | - | - | - |
| stripping length | 26 mm | | | 26 mm | | |
| allen screw | M14 (SW 6 mm) | | | M14 (SW 6 mm) | | |

| Measurement connection: | no. of connections: 2 x 10 mm ² (all conductor types) | | | no. of connections: 2 x AWG 8 (all conductor types) | | |
|-------------------------|---|---|---|---|---|---|
| | IEC 60947-7-1 | | IEC 61238-1 | UL 1059, CSA-C22.2 No. 158 | | |
| | Cu | | Al | Cu Al | | |
| 10 mm ² |  |  |  |  |  |  |
| 6 mm ² | 1,2 Nm | - | - | 2,3 Nm | 2,3 Nm | - |
| 4 mm ² | - | 1,2 Nm | - | - | - | - |
| 2,5 mm ² | - | - | - | - | - | - |
| 1,5 mm ² | - | - | - | - | - | - |
| stripping length | 10 mm | | | 10 mm | | |
| screw | M4 (+/- PZ2) | | | M4 (+/- PZ2) | | |

Materials: Terminal body: Aluminium tin plated
Housing: PA 6 (Halogen-free)
Screws: Steel zinc plated

Flame resistance: Self-extinguishing

Mechanical data: Dimensions: width x height x depth (mm): 68,6 x 57 x 95



| Design | | | | |
|--|--------|-----------------------|--------|---------------|
| Basic housing colour – light grey RAL 7035 | | | | |
| Part no. | Design | Cover colour | PU | GTIN (EAN) |
| 087560-0-3 | L G | light grey RAL 7035 | 1 / 12 | 4051589875608 |
| 087560-1-3 | N | light blue RAL 5012 | 1 / 12 | 4051589875615 |
| 087560-2-3 | PE | yellow-green RAL 6018 | 1 / 12 | 4051589875622 |
| 087560-3-3 | LB | clay brown RAL 8003 | 1 / 12 | 4051589875639 |
| 087560-4-3 | LS | jet black RAL 9005 | 1 / 12 | 4051589875646 |

Technical data

| | |
|---------------|------------------------|
| Description: | Terminal block RKA 185 |
| Construction: | Fingersafe IP 20 |
| Item no. : | 087810 |

16.03.2022

Remarks: The product is compliant with the EC ROHS directives

Standards: IEC 60947-7-1 UL 1059, CSA-C22.2 No. 158

CE, RoHS, FI, C, UL, US

Nominal Voltage: 1.000 V AC / 1.000 V DC 1.000 V AC

Nominal current: Cu 353 A Cu 310 A, Al 250 A

Rated cross-section: 185 mm² 350 kcmil



Impulse withstand voltage: 8 kV




Pollution degree: 3

Surge voltage category: III

CTI value: 550 550

Terminal cross section:

| | no. of connections: 2 x 185 mm ² (all conductor types) | | |
|---------------------|---|---|--|
| | IEC 60947-7-1 | | |
| | Cu | | |
| 185 mm ² |  |  | |
| 150 mm ² | | | |
| 120 mm ² | 25 Nm | 25 Nm | |
| 95 mm ² | | | |
| 70 mm ² | | | |
| 50 mm ² | | 20 Nm | |
| 35 mm ² | | | |
| 25 mm ² | | | |
| stripping length | 29 mm | | |
| allen screw | M18 (SW 10 mm) | | |

| | no. of connections: 2 x 350 kcmil (all conductor types) | | |
|------------------|---|---|---|
| | UL 1059, CSA-C22.2 No. 158 | | |
| | Cu | | Al |
| 350 kcmil |  |  |  |
| 300 kcmil | | | |
| 250 kcmil | 28,2 Nm | 28,2 Nm | 45 Nm |
| AWG 3/0 | | | |
| AWG 2/0 | | | |
| AWG 1/0 | | | |
| AWG 2 | | | |
| AWG 4 | | | |
| stripping length | 29 mm | | |
| allen screw | M18 (SW 10 mm) | | |

| | no. of connections: 1 x 10 mm ² (all conductor types) | | | |
|---------------------|--|--------|--------|--|
| | 10 mm ² | | | |
| | 6 mm ² | 1,2 Nm | 1,2 Nm | |
| 4 mm ² | | | | |
| 2,5 mm ² | | | | |
| 1,5 mm ² | | | | |
| stripping length | 10 mm | | | |
| screw | M4 (+/- PZ2) | | | |

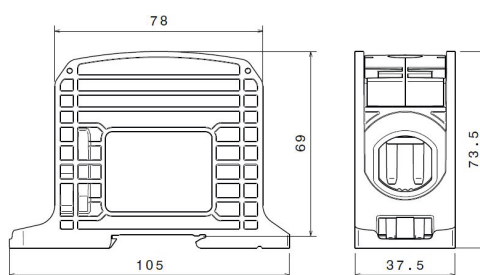
| | no. of connections: 1 x AWG 8 (all conductor types) | | | |
|------------------|---|--------|--------|--|
| | AWG 8 | | | |
| | AWG 10 | 2,3 Nm | 2,3 Nm | |
| AWG 12 | | | | |
| AWG 14 | | | | |
| AWG 16 | | | | |
| stripping length | 10 mm | | | |
| screw | M4 (+/- PZ2) | | | |

 solid  compact stranded  fine stranded with ferrule

Materials: Terminal body: Aluminium tin plated
Housing: PA 6 (Halogen-free)
Screws: Steel zinc plated

Flame resistance: Self-extinguishing

Mechanical data: Dimensions: width x height x depth (mm): 37,5 x 73,5 x 105



Design

Basic housing colour – light grey RAL 7035

| Part no. | Design | Cover colour | PU | GTIN (EAN) |
|------------|--------|-----------------------|--------|---------------|
| 087810-0-3 | L G | light grey RAL 7035 | 1 / 12 | 4051589878104 |
| 087810-1-3 | N | light blue RAL 5012 | 1 / 12 | 4051589878111 |
| 087810-2-3 | PE | yellow-green RAL 6018 | 1 / 12 | 4051589878128 |
| 087810-3-3 | LB | clay brown RAL 8003 | 1 / 12 | 4051589878135 |
| 087810-4-3 | L S | jet black RAL 9005 | 1 / 12 | 4051589878142 |

Technical data

| | |
|---------------|--------------------------|
| Description: | Terminal block RKA 185 D |
| Construction: | Fingersafe IP 20 |
| Item no. : | 087820 |

16.03.2022

Remarks: The product is compliant with the EC ROHS directives

Standards: IEC 60947-7-1 UL 1059, CSA-C22.2 No. 158

CE, RoHS, FI, C, UL, US

Nominal Voltage: 1.000 V AC / 1.000 V DC 1.000 V AC

Nominal current: Cu 353 A Cu 310 A, Al 250 A



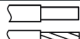
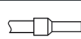
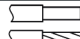
Rated cross-section: 185 mm² 350 kcmil

Impulse withstand voltage: 8 kV




Pollution degree: 3

Surge voltage category: III

CTI value: 550 550

| Terminal cross section: | no. of connections: 4 x 185 mm ² (all conductor types) | | | no. of connections: 4 x 350 kcmil (all conductor types) | | |
|-------------------------|---|---|---|---|---|---|
| | IEC 60947-7-1 | | | UL 1059, CSA-C22.2 No. 158 | | |
| | Cu | | | Cu | | |
| 185 mm ² |  |  | - |  |  |  |
| 150 mm ² | 25 Nm | | - | 28,2 Nm | | 45 Nm |
| 120 mm ² | 25 Nm | | - | 28,2 Nm | | - |
| 95 mm ² | 25 Nm | | - | 28,2 Nm | | - |
| 70 mm ² | 25 Nm | | - | 28,2 Nm | | - |
| 50 mm ² | 20 Nm | | - | - | | - |
| 35 mm ² | 20 Nm | | - | - | | - |
| 25 mm ² | 20 Nm | | - | - | | - |
| stripping length | 29 mm | | | 29 mm | | |
| allen screw | M18 (SW 10 mm) | | | M18 (SW 10 mm) | | |

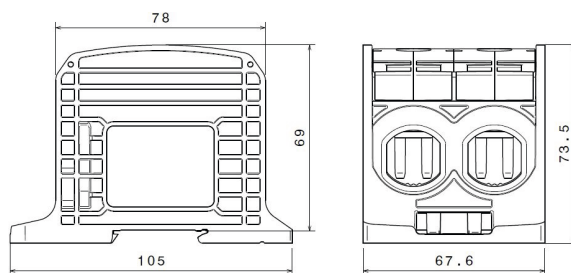
| Measurement connection: | no. of connections: 2 x 10 mm ² (all conductor types) | | | no. of connections: 2 x AWG 8 (all conductor types) | | |
|-------------------------|--|---|--------|---|---|---|
| | 10 mm ² | - | | - | | - |
| 6 mm ² | 1,2 Nm | | 1,2 Nm | | - | |
| 4 mm ² | 1,2 Nm | | 1,2 Nm | | - | |
| 2,5 mm ² | - | | - | | - | |
| 1,5 mm ² | - | | - | | - | |
| stripping length | 10 mm | | | 10 mm | | |
| screw | M4 (+/- PZ2) | | | M4 (+/- PZ2) | | |

 solid  compact stranded  fine stranded with ferrule

Materials: Terminal body: Aluminium tin plated
Housing: PA 6 (Halogen-free)
Screws: Steel zinc plated

Flame resistance: Self-extinguishing

Mechanical data: Dimensions: width x height x depth (mm): 67,6 x 73,5 x 105



Design






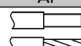



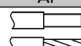



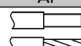
Basic housing colour – light grey RAL 7035




| Part no. | Design | Cover colour | PU | GTIN (EAN) |
|------------|--------|-----------------------|-------|---------------|
| 087820-0-3 | L G | light grey RAL 7035 | 1 / 6 | 4051589878203 |
| 087820-1-3 | N | light blue RAL 5012 | 1 / 6 | 4051589878210 |
| 087820-2-3 | PE | yellow-green RAL 6018 | 1 / 6 | 4051589878227 |
| 087820-3-3 | LB | clay brown RAL 8003 | 1 / 6 | 4051589878234 |
| 087820-4-3 | L S | jet black RAL 9005 | 1 / 6 | 4051589878241 |

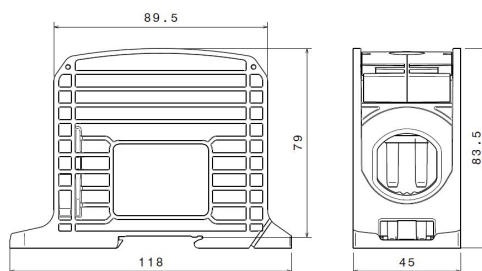
Technical data

| | |
|---------------|------------------------|
| Description: | Terminal block RKA 300 |
| Construction: | Fingersafe IP 20 |
| Item no. : | 087910 |

16.03.2022

| Remarks: | The product is compliant with the EC ROHS directives | | | | | | | | | | | | | | | | | | | | | | | | | | | | | | | | | | | | | | | | | | | | | | | | | | | | | | | | | | | | |
|---|--|--|---|---|---|--|---|----------------------------|--|----|----|----|----|---------------------|---|---|-----------|---|---|---------------------|--------|--------|-------------------|---------|--------|---------------------|-------|-----------|---------------------|-------|-----------|---------------------|---|--------|------------------------|-----------------------|---|------------------------|-----------------------|---------|--------------------|-------|---------|--------------------|---|---|---------|---|---|--------------------|---|---|-------|---|---|------------------------------|-------------------------|--|------------------------------|-------------------------|--|
| Standards: | IEC 60947-7-1  | UL 1059, CSA-C22.2 No. 158  | | | | | | | | | | | | | | | | | | | | | | | | | | | | | | | | | | | | | | | | | | | | | | | | | | | | | | | | | | | |
| Nominal Voltage: | 1.000 V AC / 1.000 V DC | 1.000 V AC | | | | | | | | | | | | | | | | | | | | | | | | | | | | | | | | | | | | | | | | | | | | | | | | | | | | | | | | | | | |
| Nominal current: | Cu 520 A | Cu 420 A, Al 340 A | | | | | | | | | | | | | | | | | | | | | | | | | | | | | | | | | | | | | | | | | | | | | | | | | | | | | | | | | | | |
| Rated cross-section: | 300 mm ² | 600 kcmil | | | | | | | | | | | | | | | | | | | | | | | | | | | | | | | | | | | | | | | | | | | | | | | | | | | | | | | | | | | |
| Impulse withstand voltage: | 8 kV | | | | | | | | | | | | | | | | | | | | | | | | | | | | | | | | | | | | | | | | | | | | | | | | | | | | | | | | | | | | |
| Pollution degree: | 3 | | | | | | | | | | | | | | | | | | | | | | | | | | | | | | | | | | | | | | | | | | | | | | | | | | | | | | | | | | | | |
| Surge voltage category: | III | | | | | | | | | | | | | | | | | | | | | | | | | | | | | | | | | | | | | | | | | | | | | | | | | | | | | | | | | | | | |
| CTI value: | 550 | 550 | | | | | | | | | | | | | | | | | | | | | | | | | | | | | | | | | | | | | | | | | | | | | | | | | | | | | | | | | | | |
| Terminal cross section: | <table border="1"> <tr> <th rowspan="2">no. of connections: 2 x 300 mm² (all conductor types)</th> <th colspan="2">IEC 60947-7-1</th> <th rowspan="2">no. of connections: 2 x 600 kcmil (all conductor types)</th> <th colspan="2">UL 1059, CSA-C22.2 No. 158</th> </tr> <tr> <th>Cu</th> <th>Al</th> <th>Cu</th> <th>Al</th> </tr> <tr> <td>300 mm²</td> <td></td> <td></td> <td>600 kcmil</td> <td></td> <td></td> </tr> <tr> <td>240 mm²</td> <td rowspan="3">45 Nm</td> <td>-</td> <td>500 kcmil</td> <td rowspan="3">33,9 Nm</td> <td rowspan="3">65 Nm</td> </tr> <tr> <td>185 mm²</td> <td>45 Nm</td> <td>350 kcmil</td> </tr> <tr> <td>150 mm²</td> <td>45 Nm</td> <td>300 kcmil</td> </tr> <tr> <td>120 mm²</td> <td rowspan="3">-</td> <td>30 Nm</td> <td>250 kcmil</td> <td rowspan="3">-</td> <td rowspan="3">-</td> </tr> <tr> <td>95 mm²</td> <td>30 Nm</td> <td>AWG 3/0</td> </tr> <tr> <td>70 mm²</td> <td>30 Nm</td> <td>AWG 2/0</td> </tr> <tr> <td>50 mm²</td> <td>-</td> <td>-</td> <td>AWG 1/0</td> <td>-</td> <td>-</td> </tr> <tr> <td>35 mm²</td> <td>-</td> <td>-</td> <td>AWG 2</td> <td>-</td> <td>-</td> </tr> <tr> <td>stripping length allen screw</td> <td colspan="2">34 mm M24 (SW 12 mm)</td> <td>stripping length allen screw</td> <td colspan="2">34 mm M24 (SW 12 mm)</td> </tr> </table> | | | no. of connections: 2 x 300 mm ² (all conductor types) | IEC 60947-7-1 | | no. of connections: 2 x 600 kcmil (all conductor types) | UL 1059, CSA-C22.2 No. 158 | | Cu | Al | Cu | Al | 300 mm ² |  |  | 600 kcmil |  |  | 240 mm ² | 45 Nm | - | 500 kcmil | 33,9 Nm | 65 Nm | 185 mm ² | 45 Nm | 350 kcmil | 150 mm ² | 45 Nm | 300 kcmil | 120 mm ² | - | 30 Nm | 250 kcmil | - | - | 95 mm ² | 30 Nm | AWG 3/0 | 70 mm ² | 30 Nm | AWG 2/0 | 50 mm ² | - | - | AWG 1/0 | - | - | 35 mm ² | - | - | AWG 2 | - | - | stripping length allen screw | 34 mm M24 (SW 12 mm) | | stripping length allen screw | 34 mm M24 (SW 12 mm) | |
| no. of connections: 2 x 300 mm ² (all conductor types) | IEC 60947-7-1 | | no. of connections: 2 x 600 kcmil (all conductor types) | | UL 1059, CSA-C22.2 No. 158 | | | | | | | | | | | | | | | | | | | | | | | | | | | | | | | | | | | | | | | | | | | | | | | | | | | | | | | | |
| | Cu | Al | | Cu | Al | | | | | | | | | | | | | | | | | | | | | | | | | | | | | | | | | | | | | | | | | | | | | | | | | | | | | | | | |
| 300 mm ² |  |  | 600 kcmil |  |  | | | | | | | | | | | | | | | | | | | | | | | | | | | | | | | | | | | | | | | | | | | | | | | | | | | | | | | | |
| 240 mm ² | 45 Nm | - | 500 kcmil | 33,9 Nm | 65 Nm | | | | | | | | | | | | | | | | | | | | | | | | | | | | | | | | | | | | | | | | | | | | | | | | | | | | | | | | |
| 185 mm ² | | 45 Nm | 350 kcmil | | | | | | | | | | | | | | | | | | | | | | | | | | | | | | | | | | | | | | | | | | | | | | | | | | | | | | | | | | |
| 150 mm ² | | 45 Nm | 300 kcmil | | | | | | | | | | | | | | | | | | | | | | | | | | | | | | | | | | | | | | | | | | | | | | | | | | | | | | | | | | |
| 120 mm ² | - | 30 Nm | 250 kcmil | - | - | | | | | | | | | | | | | | | | | | | | | | | | | | | | | | | | | | | | | | | | | | | | | | | | | | | | | | | | |
| 95 mm ² | | 30 Nm | AWG 3/0 | | | | | | | | | | | | | | | | | | | | | | | | | | | | | | | | | | | | | | | | | | | | | | | | | | | | | | | | | | |
| 70 mm ² | | 30 Nm | AWG 2/0 | | | | | | | | | | | | | | | | | | | | | | | | | | | | | | | | | | | | | | | | | | | | | | | | | | | | | | | | | | |
| 50 mm ² | - | - | AWG 1/0 | - | - | | | | | | | | | | | | | | | | | | | | | | | | | | | | | | | | | | | | | | | | | | | | | | | | | | | | | | | | |
| 35 mm ² | - | - | AWG 2 | - | - | | | | | | | | | | | | | | | | | | | | | | | | | | | | | | | | | | | | | | | | | | | | | | | | | | | | | | | | |
| stripping length allen screw | 34 mm M24 (SW 12 mm) | | stripping length allen screw | 34 mm M24 (SW 12 mm) | | | | | | | | | | | | | | | | | | | | | | | | | | | | | | | | | | | | | | | | | | | | | | | | | | | | | | | | | |
| Measurement connection: | <table border="1"> <tr> <th rowspan="2">no. of connections: 1 x 10 mm² (all conductor types)</th> <th colspan="2">IEC 60947-7-1</th> <th rowspan="2">no. of connections: 1 x AWG 8 (all conductor types)</th> <th colspan="2">UL 1059, CSA-C22.2 No. 158</th> </tr> <tr> <th>Cu</th> <th>Al</th> <th>Cu</th> <th>Al</th> </tr> <tr> <td>10 mm²</td> <td rowspan="3">1,2 Nm</td> <td>-</td> <td>AWG 8</td> <td rowspan="3">2,3 Nm</td> <td>-</td> </tr> <tr> <td>6 mm²</td> <td>1,2 Nm</td> <td>AWG 10</td> </tr> <tr> <td>4 mm²</td> <td>1,2 Nm</td> <td>AWG 12</td> </tr> <tr> <td>2,5 mm²</td> <td rowspan="2">-</td> <td>-</td> <td>AWG 14</td> <td rowspan="2">-</td> <td rowspan="2">-</td> </tr> <tr> <td>1,5 mm²</td> <td>-</td> <td>AWG 16</td> </tr> <tr> <td>stripping length screw</td> <td colspan="2">10 mm M4 (+/- PZ2)</td> <td>stripping length screw</td> <td colspan="2">10 mm M4 (+/- PZ2)</td> </tr> </table> | | | no. of connections: 1 x 10 mm ² (all conductor types) | IEC 60947-7-1 | | no. of connections: 1 x AWG 8 (all conductor types) | UL 1059, CSA-C22.2 No. 158 | | Cu | Al | Cu | Al | 10 mm ² | 1,2 Nm | - | AWG 8 | 2,3 Nm | - | 6 mm ² | 1,2 Nm | AWG 10 | 4 mm ² | 1,2 Nm | AWG 12 | 2,5 mm ² | - | - | AWG 14 | - | - | 1,5 mm ² | - | AWG 16 | stripping length screw | 10 mm M4 (+/- PZ2) | | stripping length screw | 10 mm M4 (+/- PZ2) | | | | | | | | | | | | | | | | | | | | | | |
| no. of connections: 1 x 10 mm ² (all conductor types) | IEC 60947-7-1 | | no. of connections: 1 x AWG 8 (all conductor types) | | UL 1059, CSA-C22.2 No. 158 | | | | | | | | | | | | | | | | | | | | | | | | | | | | | | | | | | | | | | | | | | | | | | | | | | | | | | | | |
| | Cu | Al | | Cu | Al | | | | | | | | | | | | | | | | | | | | | | | | | | | | | | | | | | | | | | | | | | | | | | | | | | | | | | | | |
| 10 mm ² | 1,2 Nm | - | AWG 8 | 2,3 Nm | - | | | | | | | | | | | | | | | | | | | | | | | | | | | | | | | | | | | | | | | | | | | | | | | | | | | | | | | | |
| 6 mm ² | | 1,2 Nm | AWG 10 | | | | | | | | | | | | | | | | | | | | | | | | | | | | | | | | | | | | | | | | | | | | | | | | | | | | | | | | | | |
| 4 mm ² | | 1,2 Nm | AWG 12 | | | | | | | | | | | | | | | | | | | | | | | | | | | | | | | | | | | | | | | | | | | | | | | | | | | | | | | | | | |
| 2,5 mm ² | - | - | AWG 14 | - | - | | | | | | | | | | | | | | | | | | | | | | | | | | | | | | | | | | | | | | | | | | | | | | | | | | | | | | | | |
| 1,5 mm ² | | - | AWG 16 | | | | | | | | | | | | | | | | | | | | | | | | | | | | | | | | | | | | | | | | | | | | | | | | | | | | | | | | | | |
| stripping length screw | 10 mm M4 (+/- PZ2) | | stripping length screw | 10 mm M4 (+/- PZ2) | | | | | | | | | | | | | | | | | | | | | | | | | | | | | | | | | | | | | | | | | | | | | | | | | | | | | | | | | |
| Materials: | Terminal body: Aluminium | tin plated | | | | | | | | | | | | | | | | | | | | | | | | | | | | | | | | | | | | | | | | | | | | | | | | | | | | | | | | | | | |
| | Housing: PA 6 (Halogen-free) | | | | | | | | | | | | | | | | | | | | | | | | | | | | | | | | | | | | | | | | | | | | | | | | | | | | | | | | | | | | |
| | Screws: Steel | zinc plated | | | | | | | | | | | | | | | | | | | | | | | | | | | | | | | | | | | | | | | | | | | | | | | | | | | | | | | | | | | |
| Flame resistance: | Self-extinguishing | | | | | | | | | | | | | | | | | | | | | | | | | | | | | | | | | | | | | | | | | | | | | | | | | | | | | | | | | | | | |
| Mechanical data: | Dimensions: | width x height x depth (mm): | 45 x 83,5 x 118 | | | | | | | | | | | | | | | | | | | | | | | | | | | | | | | | | | | | | | | | | | | | | | | | | | | | | | | | | | |

 solid  compact stranded  fine stranded with ferrule



Design






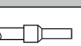

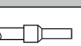

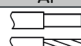

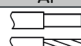

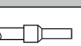

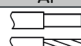
Basic housing colour – light grey RAL 7035




| Part no. | Design | Cover colour | PU | GTIN (EAN) |
|------------|--------|-----------------------|--------|---------------|
| 087910-0-3 | L G | light grey RAL 7035 | 1 / 12 | 4051589879101 |
| 087910-1-3 | N | light blue RAL 5012 | 1 / 12 | 4051589879118 |
| 087910-2-3 | PE | yellow-green RAL 6018 | 1 / 12 | 4051589879125 |
| 087910-3-3 | LB | clay brown RAL 8003 | 1 / 12 | 4051589879132 |
| 087910-4-3 | L S | jet black RAL 9005 | 1 / 12 | 4051589879149 |

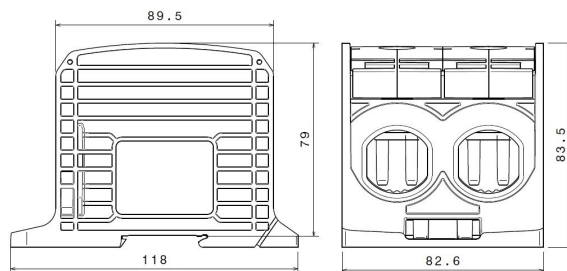
Technical data

| | |
|---------------|--------------------------|
| Description: | Terminal block RKA 300 D |
| Construction: | Fingersafe IP 20 |
| Item no. : | 087920 |

16.03.2022

| Remarks: | The product is compliant with the EC ROHS directives | | | | | | | | | | | | | | | | | | | | | | | | | | | | | | | | | | | | | | | | | | | | | | | | | | | | | | | | | | | | | | | | | | | | | | | | | | | | | | | | | | | | | | | | | | | | | |
|---|---|---|---|--|--|--------------------|--|--|-------------------|--------|--------|-------------------|---|---|---------------------|--|--|---------------------|--|--|------------------------|-------|-------|---------------------|--------------|--|--|--|---|--------------------|--|-------|--------------------|--|--------|--------------------|--------|--------|--------------------|--|--------|------------------------------|-------|--------|--|----------------|------------------------|---|--|---|--------------|--|----------------------------|--|--|--|----|----|--|---|---|-----------|--|--|-----------|--|--|-----------|---------|-------|-----------|--|--|-----------|--|--|---------|--|--|---------|--|--|---------|--|--|-------|--|--|------------------------------|-------|--|--|----------------|--|
| Standards: | IEC 60947-7-1 | UL 1059, CSA-C22.2 No. 158 | | | | | | | | | | | | | | | | | | | | | | | | | | | | | | | | | | | | | | | | | | | | | | | | | | | | | | | | | | | | | | | | | | | | | | | | | | | | | | | | | | | | | | | | | | | | |
| |    |  | | | | | | | | | | | | | | | | | | | | | | | | | | | | | | | | | | | | | | | | | | | | | | | | | | | | | | | | | | | | | | | | | | | | | | | | | | | | | | | | | | | | | | | | | | | | |
| Nominal Voltage: | 1.000 V AC / 1.000 V DC | 1.000 V AC | | | | | | | | | | | | | | | | | | | | | | | | | | | | | | | | | | | | | | | | | | | | | | | | | | | | | | | | | | | | | | | | | | | | | | | | | | | | | | | | | | | | | | | | | | | | |
| Nominal current: | Cu 520 A | Cu 420 A, Al 340 A | | | | | | | | | | | | | | | | | | | | | | | | | | | | | | | | | | | | | | | | | | | | | | | | | | | | | | | | | | | | | | | | | | | | | | | | | | | | | | | | | | | | | | | | | | | | |
| Rated cross-section: | 300 mm ² | 600 kcmil | | | | | | | | | | | | | | | | | | | | | | | | | | | | | | | | | | | | | | | | | | | | | | | | | | | | | | | | | | | | | | | | | | | | | | | | | | | | | | | | | | | | | | | | | | | | |
| Impulse withstand voltage: | 8 kV | | | | | | | | | | | | | | | | | | | | | | | | | | | | | | | | | | | | | | | | | | | | | | | | | | | | | | | | | | | | | | | | | | | | | | | | | | | | | | | | | | | | | | | | | | | | | |
| Pollution degree: | 3 | | | | | | | | | | | | | | | | | | | | | | | | | | | | | | | | | | | | | | | | | | | | | | | | | | | | | | | | | | | | | | | | | | | | | | | | | | | | | | | | | | | | | | | | | | | | | |
| Surge voltage category: | III | | | | | | | | | | | | | | | | | | | | | | | | | | | | | | | | | | | | | | | | | | | | | | | | | | | | | | | | | | | | | | | | | | | | | | | | | | | | | | | | | | | | | | | | | | | | | |
| CTI value: | 550 | 550 | | | | | | | | | | | | | | | | | | | | | | | | | | | | | | | | | | | | | | | | | | | | | | | | | | | | | | | | | | | | | | | | | | | | | | | | | | | | | | | | | | | | | | | | | | | | |
| Terminal cross section: | <table border="1"> <tr> <th colspan="3">no. of connections: 4 x 300 mm² (all conductor types)</th> </tr> <tr> <th colspan="3">IEC 60947-7-1</th> </tr> <tr> <th></th> <th colspan="2">Cu</th> </tr> <tr> <td></td> <td></td> <td></td> </tr> <tr> <td>300 mm²</td> <td></td> <td></td> </tr> <tr> <td>240 mm²</td> <td></td> <td></td> </tr> <tr> <td>185 mm²</td> <td>45 Nm</td> <td>45 Nm</td> </tr> <tr> <td>150 mm²</td> <td></td> <td></td> </tr> <tr> <td>120 mm²</td> <td></td> <td></td> </tr> <tr> <td>95 mm²</td> <td></td> <td></td> </tr> <tr> <td>70 mm²</td> <td></td> <td>30 Nm</td> </tr> <tr> <td>50 mm²</td> <td></td> <td></td> </tr> <tr> <td>35 mm²</td> <td></td> <td></td> </tr> <tr> <td>stripping length allen screw</td> <td colspan="2">34 mm</td> </tr> <tr> <td></td> <td colspan="2">M24 (SW 12 mm)</td> </tr> </table> | | no. of connections: 4 x 300 mm ² (all conductor types) | | | IEC 60947-7-1 | | | | Cu | | |  |  | 300 mm ² | | | 240 mm ² | | | 185 mm ² | 45 Nm | 45 Nm | 150 mm ² | | | 120 mm ² | | | 95 mm ² | | | 70 mm ² | | 30 Nm | 50 mm ² | | | 35 mm ² | | | stripping length allen screw | 34 mm | | | M24 (SW 12 mm) | | <table border="1"> <tr> <th colspan="3">no. of connections: 4 x 600 kcmil (all conductor types)</th> </tr> <tr> <th colspan="3">UL 1059, CSA-C22.2 No. 158</th> </tr> <tr> <th></th> <th>Cu</th> <th>Al</th> </tr> <tr> <td></td> <td></td> <td></td> </tr> <tr> <td>600 kcmil</td> <td></td> <td></td> </tr> <tr> <td>500 kcmil</td> <td></td> <td></td> </tr> <tr> <td>350 kcmil</td> <td>33,9 Nm</td> <td>65 Nm</td> </tr> <tr> <td>300 kcmil</td> <td></td> <td></td> </tr> <tr> <td>250 kcmil</td> <td></td> <td></td> </tr> <tr> <td>AWG 3/0</td> <td></td> <td></td> </tr> <tr> <td>AWG 2/0</td> <td></td> <td></td> </tr> <tr> <td>AWG 1/0</td> <td></td> <td></td> </tr> <tr> <td>AWG 2</td> <td></td> <td></td> </tr> <tr> <td>stripping length allen screw</td> <td colspan="2">34 mm</td> </tr> <tr> <td></td> <td colspan="2">M24 (SW 12 mm)</td> </tr> </table> | | no. of connections: 4 x 600 kcmil (all conductor types) | | | UL 1059, CSA-C22.2 No. 158 | | | | Cu | Al | |  |  | 600 kcmil | | | 500 kcmil | | | 350 kcmil | 33,9 Nm | 65 Nm | 300 kcmil | | | 250 kcmil | | | AWG 3/0 | | | AWG 2/0 | | | AWG 1/0 | | | AWG 2 | | | stripping length allen screw | 34 mm | | | M24 (SW 12 mm) | |
| no. of connections: 4 x 300 mm ² (all conductor types) | | | | | | | | | | | | | | | | | | | | | | | | | | | | | | | | | | | | | | | | | | | | | | | | | | | | | | | | | | | | | | | | | | | | | | | | | | | | | | | | | | | | | | | | | | | | | | |
| IEC 60947-7-1 | | | | | | | | | | | | | | | | | | | | | | | | | | | | | | | | | | | | | | | | | | | | | | | | | | | | | | | | | | | | | | | | | | | | | | | | | | | | | | | | | | | | | | | | | | | | | | |
| | Cu | | | | | | | | | | | | | | | | | | | | | | | | | | | | | | | | | | | | | | | | | | | | | | | | | | | | | | | | | | | | | | | | | | | | | | | | | | | | | | | | | | | | | | | | | | | | | |
| |  |  | | | | | | | | | | | | | | | | | | | | | | | | | | | | | | | | | | | | | | | | | | | | | | | | | | | | | | | | | | | | | | | | | | | | | | | | | | | | | | | | | | | | | | | | | | | | |
| 300 mm ² | | | | | | | | | | | | | | | | | | | | | | | | | | | | | | | | | | | | | | | | | | | | | | | | | | | | | | | | | | | | | | | | | | | | | | | | | | | | | | | | | | | | | | | | | | | | | | |
| 240 mm ² | | | | | | | | | | | | | | | | | | | | | | | | | | | | | | | | | | | | | | | | | | | | | | | | | | | | | | | | | | | | | | | | | | | | | | | | | | | | | | | | | | | | | | | | | | | | | | |
| 185 mm ² | 45 Nm | 45 Nm | | | | | | | | | | | | | | | | | | | | | | | | | | | | | | | | | | | | | | | | | | | | | | | | | | | | | | | | | | | | | | | | | | | | | | | | | | | | | | | | | | | | | | | | | | | | |
| 150 mm ² | | | | | | | | | | | | | | | | | | | | | | | | | | | | | | | | | | | | | | | | | | | | | | | | | | | | | | | | | | | | | | | | | | | | | | | | | | | | | | | | | | | | | | | | | | | | | | |
| 120 mm ² | | | | | | | | | | | | | | | | | | | | | | | | | | | | | | | | | | | | | | | | | | | | | | | | | | | | | | | | | | | | | | | | | | | | | | | | | | | | | | | | | | | | | | | | | | | | | | |
| 95 mm ² | | | | | | | | | | | | | | | | | | | | | | | | | | | | | | | | | | | | | | | | | | | | | | | | | | | | | | | | | | | | | | | | | | | | | | | | | | | | | | | | | | | | | | | | | | | | | | |
| 70 mm ² | | 30 Nm | | | | | | | | | | | | | | | | | | | | | | | | | | | | | | | | | | | | | | | | | | | | | | | | | | | | | | | | | | | | | | | | | | | | | | | | | | | | | | | | | | | | | | | | | | | | |
| 50 mm ² | | | | | | | | | | | | | | | | | | | | | | | | | | | | | | | | | | | | | | | | | | | | | | | | | | | | | | | | | | | | | | | | | | | | | | | | | | | | | | | | | | | | | | | | | | | | | | |
| 35 mm ² | | | | | | | | | | | | | | | | | | | | | | | | | | | | | | | | | | | | | | | | | | | | | | | | | | | | | | | | | | | | | | | | | | | | | | | | | | | | | | | | | | | | | | | | | | | | | | |
| stripping length allen screw | 34 mm | | | | | | | | | | | | | | | | | | | | | | | | | | | | | | | | | | | | | | | | | | | | | | | | | | | | | | | | | | | | | | | | | | | | | | | | | | | | | | | | | | | | | | | | | | | | | |
| | M24 (SW 12 mm) | | | | | | | | | | | | | | | | | | | | | | | | | | | | | | | | | | | | | | | | | | | | | | | | | | | | | | | | | | | | | | | | | | | | | | | | | | | | | | | | | | | | | | | | | | | | | |
| no. of connections: 4 x 600 kcmil (all conductor types) | | | | | | | | | | | | | | | | | | | | | | | | | | | | | | | | | | | | | | | | | | | | | | | | | | | | | | | | | | | | | | | | | | | | | | | | | | | | | | | | | | | | | | | | | | | | | | |
| UL 1059, CSA-C22.2 No. 158 | | | | | | | | | | | | | | | | | | | | | | | | | | | | | | | | | | | | | | | | | | | | | | | | | | | | | | | | | | | | | | | | | | | | | | | | | | | | | | | | | | | | | | | | | | | | | | |
| | Cu | Al | | | | | | | | | | | | | | | | | | | | | | | | | | | | | | | | | | | | | | | | | | | | | | | | | | | | | | | | | | | | | | | | | | | | | | | | | | | | | | | | | | | | | | | | | | | | |
| |  |  | | | | | | | | | | | | | | | | | | | | | | | | | | | | | | | | | | | | | | | | | | | | | | | | | | | | | | | | | | | | | | | | | | | | | | | | | | | | | | | | | | | | | | | | | | | | |
| 600 kcmil | | | | | | | | | | | | | | | | | | | | | | | | | | | | | | | | | | | | | | | | | | | | | | | | | | | | | | | | | | | | | | | | | | | | | | | | | | | | | | | | | | | | | | | | | | | | | | |
| 500 kcmil | | | | | | | | | | | | | | | | | | | | | | | | | | | | | | | | | | | | | | | | | | | | | | | | | | | | | | | | | | | | | | | | | | | | | | | | | | | | | | | | | | | | | | | | | | | | | | |
| 350 kcmil | 33,9 Nm | 65 Nm | | | | | | | | | | | | | | | | | | | | | | | | | | | | | | | | | | | | | | | | | | | | | | | | | | | | | | | | | | | | | | | | | | | | | | | | | | | | | | | | | | | | | | | | | | | | |
| 300 kcmil | | | | | | | | | | | | | | | | | | | | | | | | | | | | | | | | | | | | | | | | | | | | | | | | | | | | | | | | | | | | | | | | | | | | | | | | | | | | | | | | | | | | | | | | | | | | | | |
| 250 kcmil | | | | | | | | | | | | | | | | | | | | | | | | | | | | | | | | | | | | | | | | | | | | | | | | | | | | | | | | | | | | | | | | | | | | | | | | | | | | | | | | | | | | | | | | | | | | | | |
| AWG 3/0 | | | | | | | | | | | | | | | | | | | | | | | | | | | | | | | | | | | | | | | | | | | | | | | | | | | | | | | | | | | | | | | | | | | | | | | | | | | | | | | | | | | | | | | | | | | | | | |
| AWG 2/0 | | | | | | | | | | | | | | | | | | | | | | | | | | | | | | | | | | | | | | | | | | | | | | | | | | | | | | | | | | | | | | | | | | | | | | | | | | | | | | | | | | | | | | | | | | | | | | |
| AWG 1/0 | | | | | | | | | | | | | | | | | | | | | | | | | | | | | | | | | | | | | | | | | | | | | | | | | | | | | | | | | | | | | | | | | | | | | | | | | | | | | | | | | | | | | | | | | | | | | | |
| AWG 2 | | | | | | | | | | | | | | | | | | | | | | | | | | | | | | | | | | | | | | | | | | | | | | | | | | | | | | | | | | | | | | | | | | | | | | | | | | | | | | | | | | | | | | | | | | | | | | |
| stripping length allen screw | 34 mm | | | | | | | | | | | | | | | | | | | | | | | | | | | | | | | | | | | | | | | | | | | | | | | | | | | | | | | | | | | | | | | | | | | | | | | | | | | | | | | | | | | | | | | | | | | | | |
| | M24 (SW 12 mm) | | | | | | | | | | | | | | | | | | | | | | | | | | | | | | | | | | | | | | | | | | | | | | | | | | | | | | | | | | | | | | | | | | | | | | | | | | | | | | | | | | | | | | | | | | | | | |
| Measurement connection: | <table border="1"> <tr> <th colspan="3">no. of connections: 2 x 10 mm² (all conductor types)</th> </tr> <tr> <td>10 mm²</td> <td></td> <td></td> </tr> <tr> <td>6 mm²</td> <td>1,2 Nm</td> <td>1,2 Nm</td> </tr> <tr> <td>4 mm²</td> <td></td> <td></td> </tr> <tr> <td>2,5 mm²</td> <td></td> <td></td> </tr> <tr> <td>1,5 mm²</td> <td></td> <td></td> </tr> <tr> <td>stripping length screw</td> <td colspan="2">10 mm</td> </tr> <tr> <td></td> <td colspan="2">M4 (+/- PZ2)</td> </tr> </table> | | no. of connections: 2 x 10 mm ² (all conductor types) | | | 10 mm ² | | | 6 mm ² | 1,2 Nm | 1,2 Nm | 4 mm ² | | | 2,5 mm ² | | | 1,5 mm ² | | | stripping length screw | 10 mm | | | M4 (+/- PZ2) | | <table border="1"> <tr> <th colspan="3">no. of connections: 2 x AWG 8 (all conductor types)</th> </tr> <tr> <td>AWG 8</td> <td></td> <td></td> </tr> <tr> <td>AWG 10</td> <td>2,3 Nm</td> <td>2,3 Nm</td> </tr> <tr> <td>AWG 12</td> <td></td> <td></td> </tr> <tr> <td>AWG 14</td> <td></td> <td></td> </tr> <tr> <td>AWG 16</td> <td></td> <td></td> </tr> <tr> <td>stripping length screw</td> <td colspan="2">10 mm</td> </tr> <tr> <td></td> <td colspan="2">M4 (+/- PZ2)</td> </tr> </table> | | no. of connections: 2 x AWG 8 (all conductor types) | | | AWG 8 | | | AWG 10 | 2,3 Nm | 2,3 Nm | AWG 12 | | | AWG 14 | | | AWG 16 | | | stripping length screw | 10 mm | | | M4 (+/- PZ2) | | | | | | | | | | | | | | | | | | | | | | | | | | | | | | | | | | | | | | | | | | | |
| no. of connections: 2 x 10 mm ² (all conductor types) | | | | | | | | | | | | | | | | | | | | | | | | | | | | | | | | | | | | | | | | | | | | | | | | | | | | | | | | | | | | | | | | | | | | | | | | | | | | | | | | | | | | | | | | | | | | | | |
| 10 mm ² | | | | | | | | | | | | | | | | | | | | | | | | | | | | | | | | | | | | | | | | | | | | | | | | | | | | | | | | | | | | | | | | | | | | | | | | | | | | | | | | | | | | | | | | | | | | | | |
| 6 mm ² | 1,2 Nm | 1,2 Nm | | | | | | | | | | | | | | | | | | | | | | | | | | | | | | | | | | | | | | | | | | | | | | | | | | | | | | | | | | | | | | | | | | | | | | | | | | | | | | | | | | | | | | | | | | | | |
| 4 mm ² | | | | | | | | | | | | | | | | | | | | | | | | | | | | | | | | | | | | | | | | | | | | | | | | | | | | | | | | | | | | | | | | | | | | | | | | | | | | | | | | | | | | | | | | | | | | | | |
| 2,5 mm ² | | | | | | | | | | | | | | | | | | | | | | | | | | | | | | | | | | | | | | | | | | | | | | | | | | | | | | | | | | | | | | | | | | | | | | | | | | | | | | | | | | | | | | | | | | | | | | |
| 1,5 mm ² | | | | | | | | | | | | | | | | | | | | | | | | | | | | | | | | | | | | | | | | | | | | | | | | | | | | | | | | | | | | | | | | | | | | | | | | | | | | | | | | | | | | | | | | | | | | | | |
| stripping length screw | 10 mm | | | | | | | | | | | | | | | | | | | | | | | | | | | | | | | | | | | | | | | | | | | | | | | | | | | | | | | | | | | | | | | | | | | | | | | | | | | | | | | | | | | | | | | | | | | | | |
| | M4 (+/- PZ2) | | | | | | | | | | | | | | | | | | | | | | | | | | | | | | | | | | | | | | | | | | | | | | | | | | | | | | | | | | | | | | | | | | | | | | | | | | | | | | | | | | | | | | | | | | | | | |
| no. of connections: 2 x AWG 8 (all conductor types) | | | | | | | | | | | | | | | | | | | | | | | | | | | | | | | | | | | | | | | | | | | | | | | | | | | | | | | | | | | | | | | | | | | | | | | | | | | | | | | | | | | | | | | | | | | | | | |
| AWG 8 | | | | | | | | | | | | | | | | | | | | | | | | | | | | | | | | | | | | | | | | | | | | | | | | | | | | | | | | | | | | | | | | | | | | | | | | | | | | | | | | | | | | | | | | | | | | | | |
| AWG 10 | 2,3 Nm | 2,3 Nm | | | | | | | | | | | | | | | | | | | | | | | | | | | | | | | | | | | | | | | | | | | | | | | | | | | | | | | | | | | | | | | | | | | | | | | | | | | | | | | | | | | | | | | | | | | | |
| AWG 12 | | | | | | | | | | | | | | | | | | | | | | | | | | | | | | | | | | | | | | | | | | | | | | | | | | | | | | | | | | | | | | | | | | | | | | | | | | | | | | | | | | | | | | | | | | | | | | |
| AWG 14 | | | | | | | | | | | | | | | | | | | | | | | | | | | | | | | | | | | | | | | | | | | | | | | | | | | | | | | | | | | | | | | | | | | | | | | | | | | | | | | | | | | | | | | | | | | | | | |
| AWG 16 | | | | | | | | | | | | | | | | | | | | | | | | | | | | | | | | | | | | | | | | | | | | | | | | | | | | | | | | | | | | | | | | | | | | | | | | | | | | | | | | | | | | | | | | | | | | | | |
| stripping length screw | 10 mm | | | | | | | | | | | | | | | | | | | | | | | | | | | | | | | | | | | | | | | | | | | | | | | | | | | | | | | | | | | | | | | | | | | | | | | | | | | | | | | | | | | | | | | | | | | | | |
| | M4 (+/- PZ2) | | | | | | | | | | | | | | | | | | | | | | | | | | | | | | | | | | | | | | | | | | | | | | | | | | | | | | | | | | | | | | | | | | | | | | | | | | | | | | | | | | | | | | | | | | | | | |
| Materials: | Terminal body: Aluminium | tin plated | | | | | | | | | | | | | | | | | | | | | | | | | | | | | | | | | | | | | | | | | | | | | | | | | | | | | | | | | | | | | | | | | | | | | | | | | | | | | | | | | | | | | | | | | | | | |
| | Housing: PA 6 (Halogen-free) | | | | | | | | | | | | | | | | | | | | | | | | | | | | | | | | | | | | | | | | | | | | | | | | | | | | | | | | | | | | | | | | | | | | | | | | | | | | | | | | | | | | | | | | | | | | | |
| | Screws: Steel | zinc plated | | | | | | | | | | | | | | | | | | | | | | | | | | | | | | | | | | | | | | | | | | | | | | | | | | | | | | | | | | | | | | | | | | | | | | | | | | | | | | | | | | | | | | | | | | | | |
| Flame resistance: | Self-extinguishing | | | | | | | | | | | | | | | | | | | | | | | | | | | | | | | | | | | | | | | | | | | | | | | | | | | | | | | | | | | | | | | | | | | | | | | | | | | | | | | | | | | | | | | | | | | | | |
| Mechanical data: | Dimensions: | width x height x depth (mm): | 82,6 x 83,5 x 118 | | | | | | | | | | | | | | | | | | | | | | | | | | | | | | | | | | | | | | | | | | | | | | | | | | | | | | | | | | | | | | | | | | | | | | | | | | | | | | | | | | | | | | | | | | | |

 solid  compact stranded  fine stranded with ferrule



Design

Basic housing colour – light grey RAL 7035

| Part no. | Design | Cover colour | PU | GTIN (EAN) |
|------------|--------|-----------------------|-------|---------------|
| 087920-0-3 | L G | light grey RAL 7035 | 1 / 6 | 4051589879200 |
| 087920-1-3 | N | light blue RAL 5012 | 1 / 6 | 4051589879217 |
| 087920-2-3 | PE | yellow-green RAL 6018 | 1 / 6 | 4051589879224 |
| 087920-3-3 | LB | clay brown RAL 8003 | 1 / 6 | 4051589879231 |
| 087920-4-3 | L S | jet black RAL 9005 | 1 / 6 | 4051589879248 |